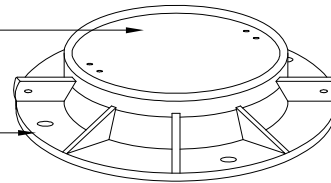


E1810-A2 Cover

 (Marked "Communication")
 Weight - 305 Lbs.

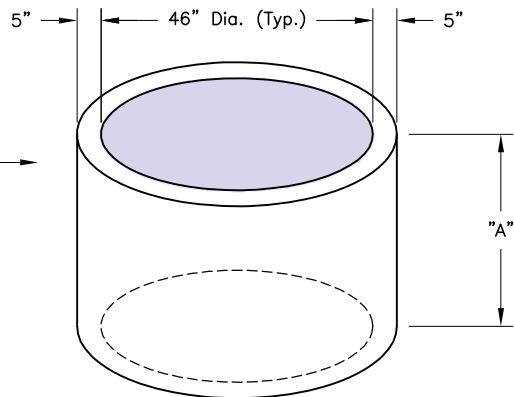
E1825 Ring

Weight - 430 Lbs.

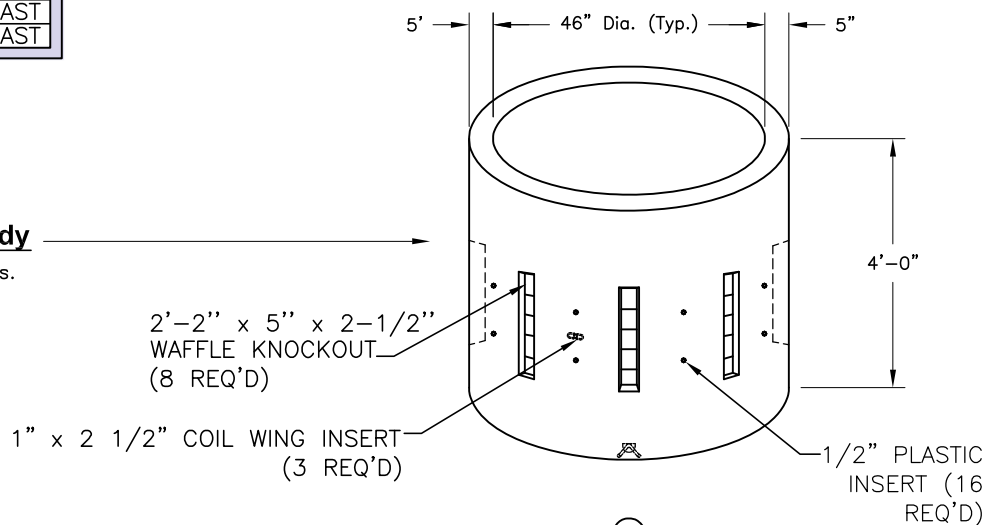

NECK EXTENSION

 As Required
 Weight - See Chart

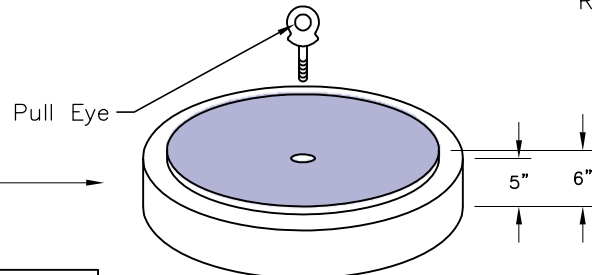
NECK DATA		
"A"	Weight	Style
3	243	WETCAST
9	689	WETCAST
18	1337	WETCAST
27	2025	WETCAST
36	2714	WETCAST


Fiber Optic Body

Weight - 1200 Lbs.


Fiber Optic Base

Weight - 1075 Lbs.


SPECIFICATIONS:

1. Concrete: Design Strength of 5500 PSI at 28 Days.
2. Steel Reinforcement: ASTM A-185.
3. Loading: Designed for HS-20 Loading.
4. C.I. Castings: ASTM A 48 Class 30/35