

Ring & Cover :

*Note: Varies Per Customer Specs

35" x 3" Grade Ring

Weight : 145 Lbs.

24" x 3" Grade Ring

Weight : 105 Lbs.

48" Dia. Eccentric Cone

Height	Access	Item #	Weight
3'-0"	24"	1102840	2,660 Lbs.
4'-0"	24"	1102850	3,525 Lbs.
3'-0"	30"	1102860	2,660 Lbs.
4'-0"	30"	1102870	3,525 Lbs.

48" Dia. Concentric Cone

Height	Access	Item #	Weight
3'-0"	24"	1102800	2,660 Lbs.
4'-0"	24"	1102810	3,525 Lbs.
3'-0"	30"	1102820	2,660 Lbs.
4'-0"	30"	1102830	3,525 Lbs.

48" Dia. Risers

Height	Item #	Weight
1'-0"	1102630	860 Lbs.
2'-0"	1102650	1,740 Lbs.
3'-0"	1102680	2,580 Lbs.
4'-0"	1102690	3,440 Lbs.

48" Dia. Base

Height	Item #	Weight
2'-0"	1102750	4,400 Lbs.
2'-6"	1102760	4,840 Lbs.
3'-0"	1102770	5,260 Lbs.
4'-0"	1102780	6,140 Lbs.

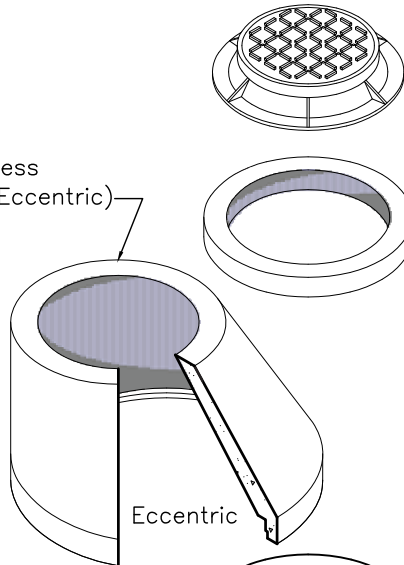
48" Dia. Base w/ Invert

Height	Item #	Weight
2'-0"	1102755	4,400 Lbs.
2'-6"	1102765	4,840 Lbs.
3'-0"	1102775	5,260 Lbs.
4'-0"	1102785	6,140 Lbs.

GENERAL NOTES:

1. Wet Well Walls, Transition Slabs, Cones, Tops and Base Sections Meet or Exceed ASTM C-478.
2. Joint Connections to be Gaskets Conforming to ASTM C-443 Requirements.
3. Resilient Connectors to be Boots Conforming to ASTM C-923 Requirements.
4. Following Coatings available upon request:
(Thane-Coat, Bitumastic, Tnemec)

24" or 35" Access
(Concentric or Eccentric)



Eccentric

Concentric

48" Dia. Grooved Slab Top

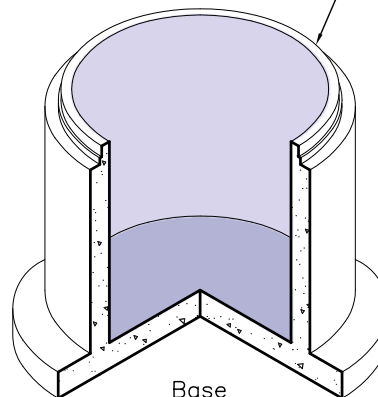
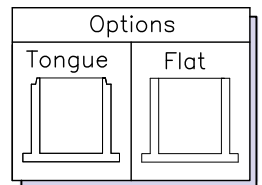
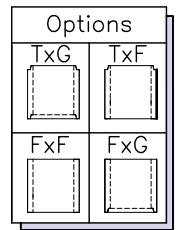
Access	Item #	Weight
24" Concentric	1102940	1,550 Lbs.
24" Eccentric	1102950	1,550 Lbs.
30" Concentric	1102960	1,375 Lbs.
30" Eccentric	1102970	1,375 Lbs.

48" Dia. Flat Slab Top

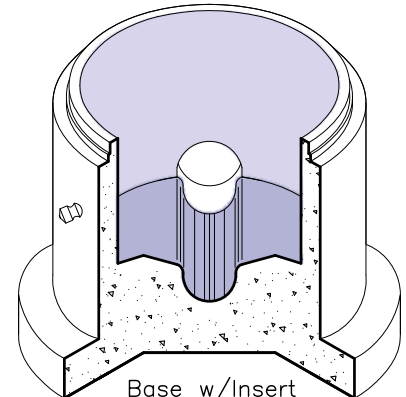
Access	Item #	Weight
24" Concentric	1102900	1,475 Lbs.
24" Eccentric	1102910	1,475 Lbs.
30" Concentric	1102920	1,300 Lbs.
30" Eccentric	1102930	1,300 Lbs.

See Joint Options
on Chart

See Joint Options
on Chart



Base



Base w/Insert