

60" Dia. Transition Slab

 Weight: 2,650 lbs.
 Item #: 1104340

60" Dia. Grooved Slab Top

Access	Item #	Weight
24" Concentric	1104300	2,625 Lbs.
24" Eccentric	1104310	2,625 Lbs.
30" Concentric	1104320	2,450 Lbs.
30" Eccentric	1104330	2,450 Lbs.

60" Dia. Flat Slab Top

Access	Item #	Weight
24" Concentric	1104400	2,500 Lbs.
24" Eccentric	1104410	2,500 Lbs.
30" Concentric	1104420	2,325 Lbs.
30" Eccentric	1104430	2,325 Lbs.

60" Dia. Risers

Height	Item #	Weight
1'-0"	1104000	1,300 Lbs.
2'-0"	1104010	2,600 Lbs.
3'-0"	1104020	3,900 Lbs.
4'-0"	1104030	5,200 Lbs.

60" Dia. Base

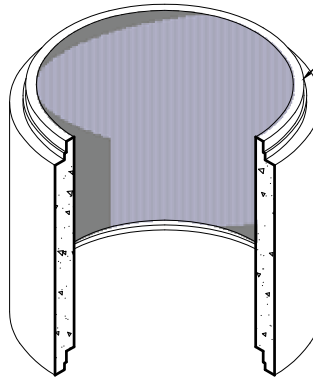
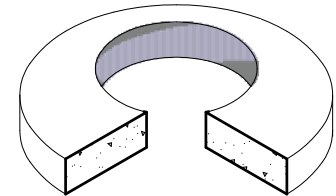
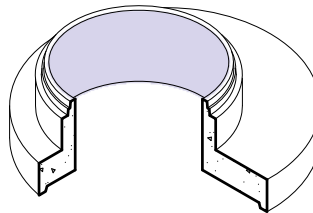
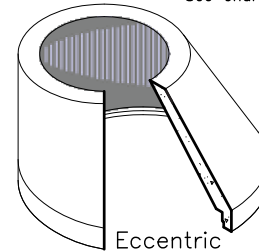
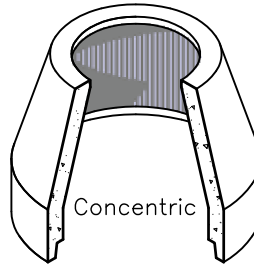
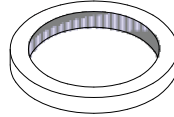
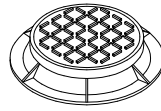
Height	Item #	Weight
2'-0"	1104200	6,450 Lbs.
3'-0"	1104220	7,725 Lbs.
4'-0"	1104240	9,025 Lbs.
5'-0"	1104260	10,325 Lbs.
6'-0"	1104280	11,625 Lbs.

60" Dia. Base w/ Invert

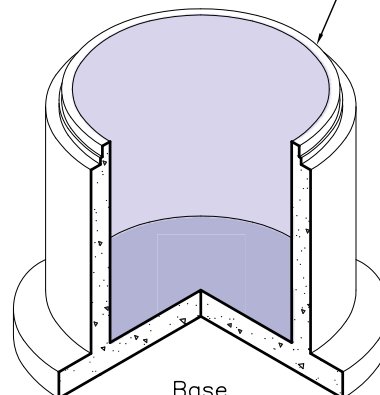
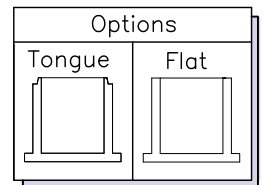
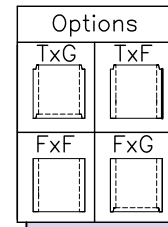
Height	Item #	Weight
2'-0"	1104210	6,450 Lbs.
3'-0"	1104230	7,725 Lbs.
4'-0"	1104250	9,025 Lbs.
5'-0"	1104270	10,325 Lbs.
6'-0"	1104290	11,625 Lbs.

GENERAL NOTES:

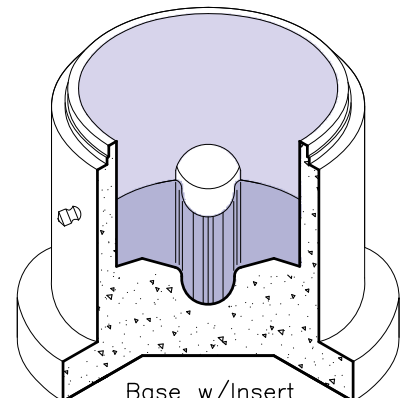
1. Wet Well Walls, Transition Slabs, Cones, Tops and Base Sections Meet or Exceed ASTM C-478.
2. Joint Connections to be Gaskets Conforming to ASTM C-443 Requirements.
3. Resilient Connectors to be Boots Conforming to ASTM C-923 Requirements.
4. Following Coatings available upon request:
(Thane-Coat, Bitumastic, Tnemec)



See Joint Options on Chart



See Joint Options on Chart


Ring & Cover :

*Note: Varies Per Customer Specs

35" x 3" Grade Ring

Weight : 145 Lbs.

24" x 3" Grade Ring

Weight : 105 Lbs.

48" Dia. Eccentric Cone

See chart for model 48-MH.

48" Dia. Concentric Cone

See chart for model 48-MH.