

72" Dia. Transition Slab

 Weight: 3,350 lbs.
 Item #: 1105440

72" Dia. Grooved Slab Top

Access	Item #	Weight
24" Concentric	1105400	2,875 Lbs.
24" Eccentric	1105410	2,875 Lbs.
30" Concentric	1105430	2,700 Lbs.
30" Eccentric	1105420	2,700 Lbs.

72" Dia. Flat Slab Top

Access	Item #	Weight
24" Concentric	1105500	3,725 Lbs.
24" Eccentric	1105510	3,725 Lbs.
30" Concentric	1105520	3,550 Lbs.
30" Eccentric	1105530	3,550 Lbs.

72" Dia. Risers

Height	Item #	Weight
1'-0"	1105000	1,800 Lbs.
2'-0"	1105010	3,600 Lbs.
3'-0"	1105020	5,400 Lbs.
4'-0"	1105030	7,200 Lbs.
5'-0"	1105040	9,000 Lbs.
6'-0"	1105050	10,800 Lbs.

72" Dia. Base

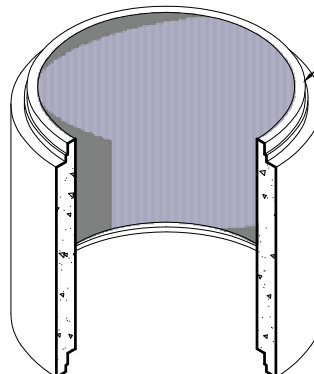
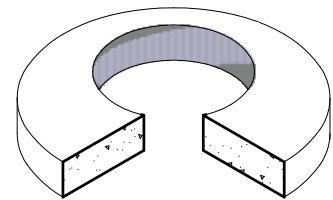
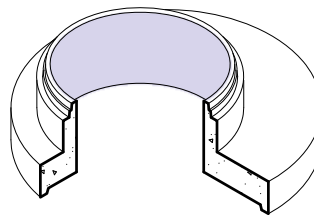
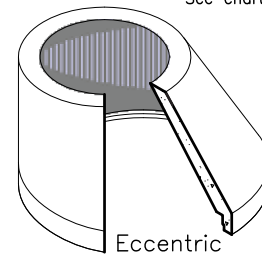
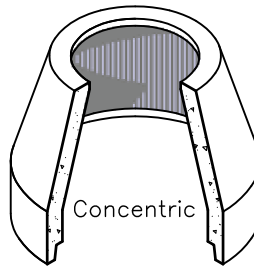
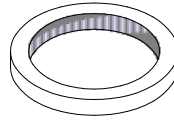
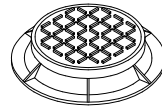
Height	Item #	Weight
4'-0"	1105200	12,480 Lbs.
5'-0"	1105220	14,290 Lbs.
6'-0"	1105240	16,100 Lbs.

72" Dia. Base w/ Invert

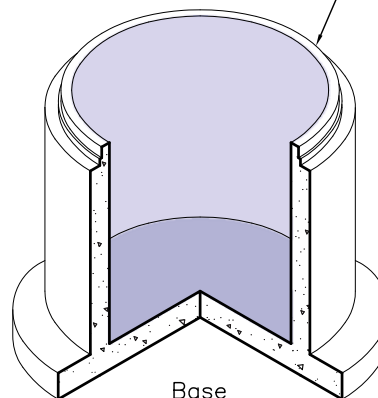
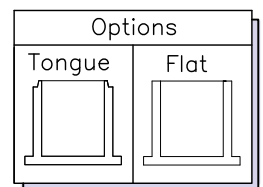
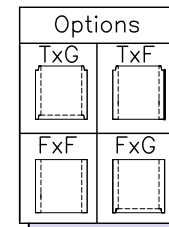
Height	Item #	Weight
4'-0"	1105210	12,500 Lbs.
5'-0"	1105230	14,250 Lbs.
6'-0"	1105250	16,100 Lbs.

GENERAL NOTES:

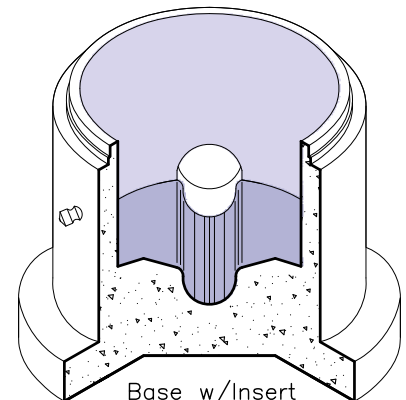
1. Wet Well Walls, Transition Slabs, Cones, Tops and Base Sections Meet or Exceed ASTM C-478.
2. Joint Connections to be Gaskets Conforming to ASTM C-443 Requirements.
3. Resilient Connectors to be Boots Conforming to ASTM C-923 Requirements.
4. Following Coatings available upon request: (Thane-Coat, Bitumastic, Tnemec)



See Joint Options on Chart



See Joint Options on Chart



Base w/Insert

Ring & Cover :

*Note: Varies Per Customer Specs

35" x 3" Grade Ring

Weight : 145 Lbs.

24" x 3" Grade Ring

Weight : 105 Lbs.

48" Dia. Eccentric Cone

See chart for model 48-MH.

48" Dia. Concentric Cone

See chart for model 48-MH.