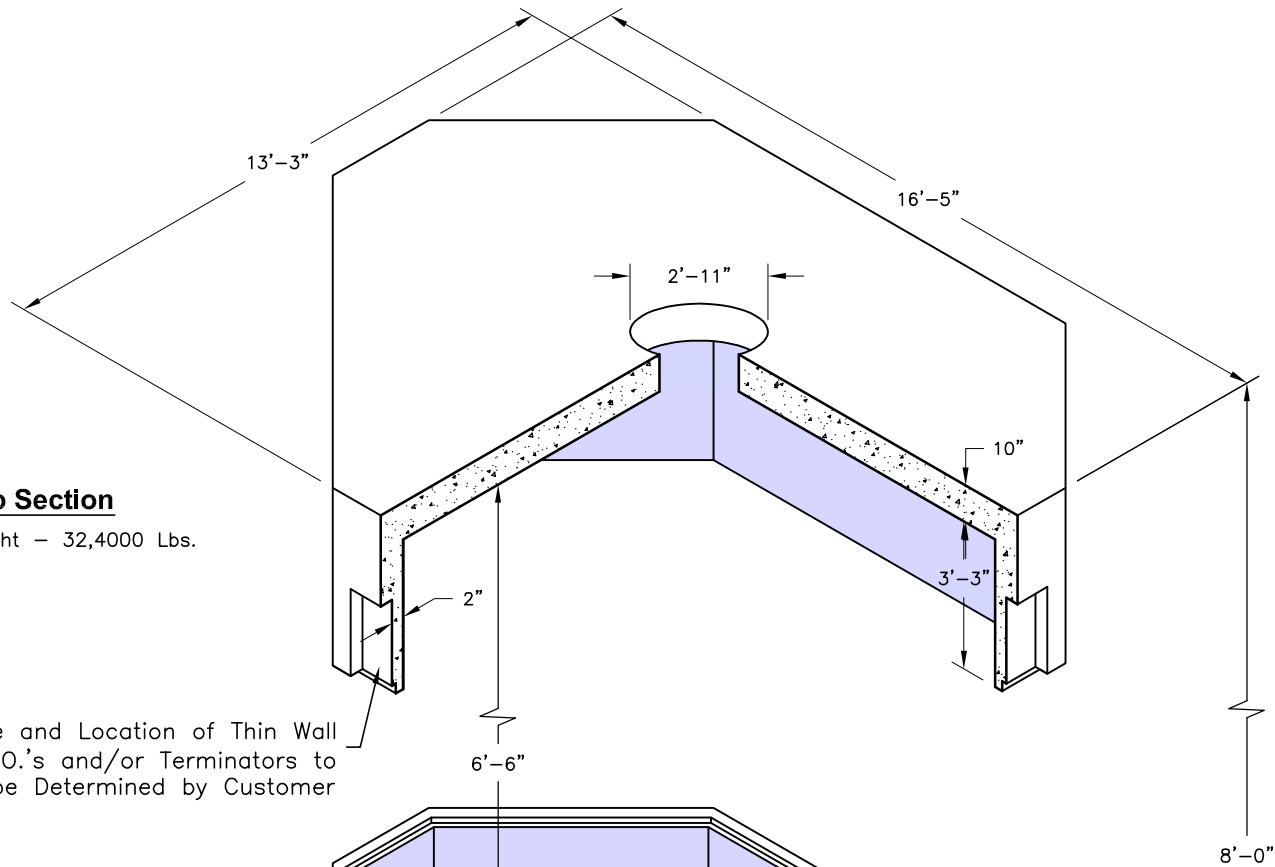


**Top Section**

Weight - 32,400 Lbs.

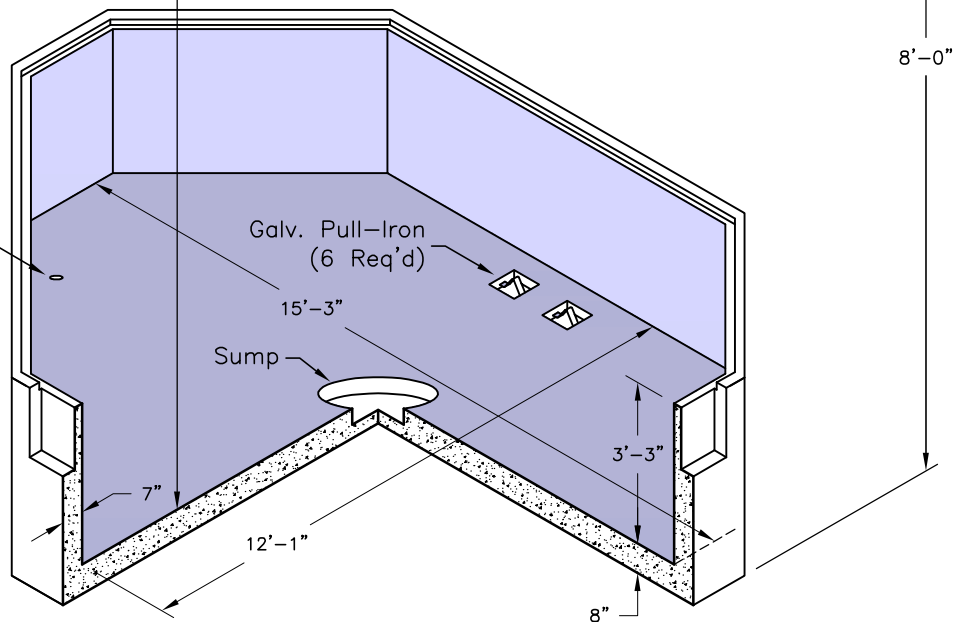
 Size and Location of Thin Wall  
 K.O.'s and/or Terminators to  
 be Determined by Customer

**Bottom Section**

Weight - 29,800 Lbs.

 1 1/4"Ø Ground  
 Rod Hole (2 Req'd)

 Galv. Pull-Iron  
 (6 Req'd)

Sump


**SPECIFICATIONS:**

1. Concrete: Design Strength of 5500 PSI at 28 Days.
2. Steel Reinforcement: ASTM A-615 Grade 60.
3. Loading: Designed for HS-20 Loading.
4. C.I. Castings: ASTM A-48 Class 30/35.

**GENERAL NOTES:**

1. Different Height Sections are Available on Request.
2. All Weights Calculated with Solid Walls.
3. Access Manhole Location & Opening Size may vary.
4. Knock Out/Termaducts Location & Size may vary.