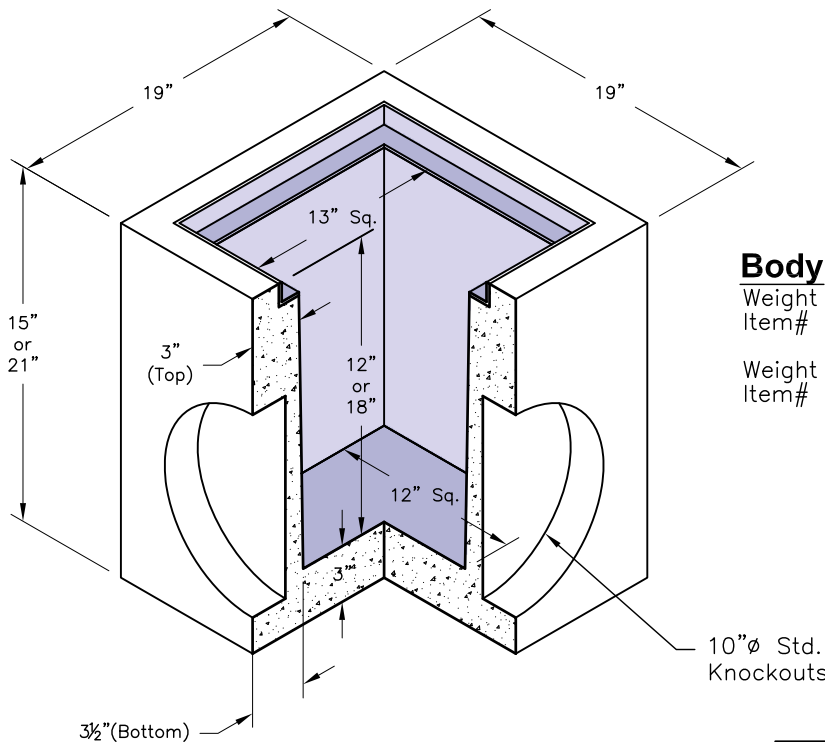


C.I. Grate

Weight - 38 Lbs.
Item# - 7102950



Body

Weight (12" Depth) - 300 Lbs.
Item# - 1201300

Weight (18" Depth) - 425 Lbs.
Item# - 1201340

GENERAL NOTES:

1. Cast-Iron frame cast in body.
2. Smaller heights are available on request.

SPECIFICATIONS:

1. Concrete has a design strength of 5000 PSI at 28 days.
2. Steel reinforcement: ASTM A-615 Grade 60 or ASTM A-497 Welded wire fabric.
3. Loading: Designed for H20 Loading.
4. C.I. Castings: ASTM A-48, Class 30/35.