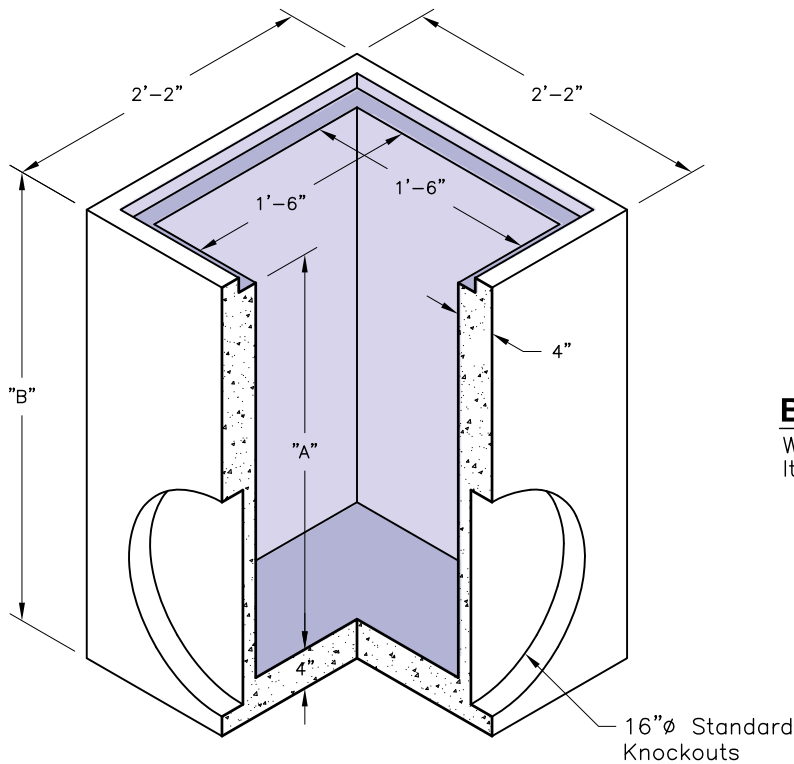

**16 1/2"Ø C.I. Cover**

 Weight - 55 Lbs.  
 Item# - 7102600

**"Y" Top w/ Frame**

 Weight - 375 Lbs.  
 Item# - 1207700

**GENERAL NOTES:**

1. Different Height of Bodies are Available by Request.

**SPECIFICATIONS:**

1. Concrete has a design strength of 5000 PSI at 28 days.
2. Steel reinforcement: ASTM A-615 Grade 60 or ASTM A-497 Welded wire fabric.
3. Loading: Designed for H20 Loading.
4. C.I. Castings: ASTM A-48, Class 30/35.

**Body**

 Weight - See Table  
 Item# - See Table

Body			
A	B	Weight	Item#
12"	16"	600 Lbs.	1201440
18"	22"	775 Lbs.	1201480
24"	28"	975 Lbs.	1201520
30"	34"	1150 Lbs.	1201580
36"	40"	1325 Lbs.	1201660