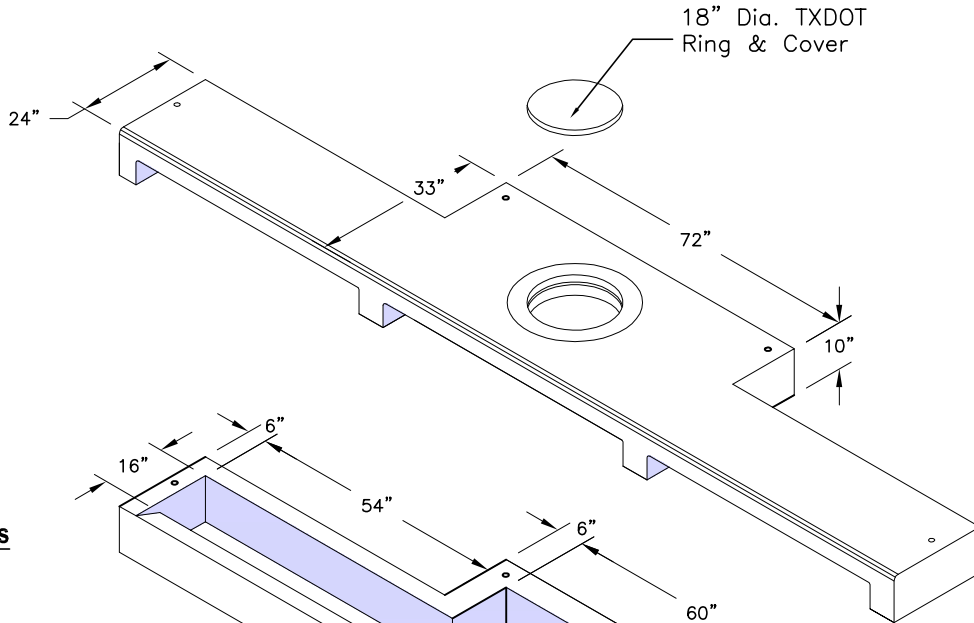
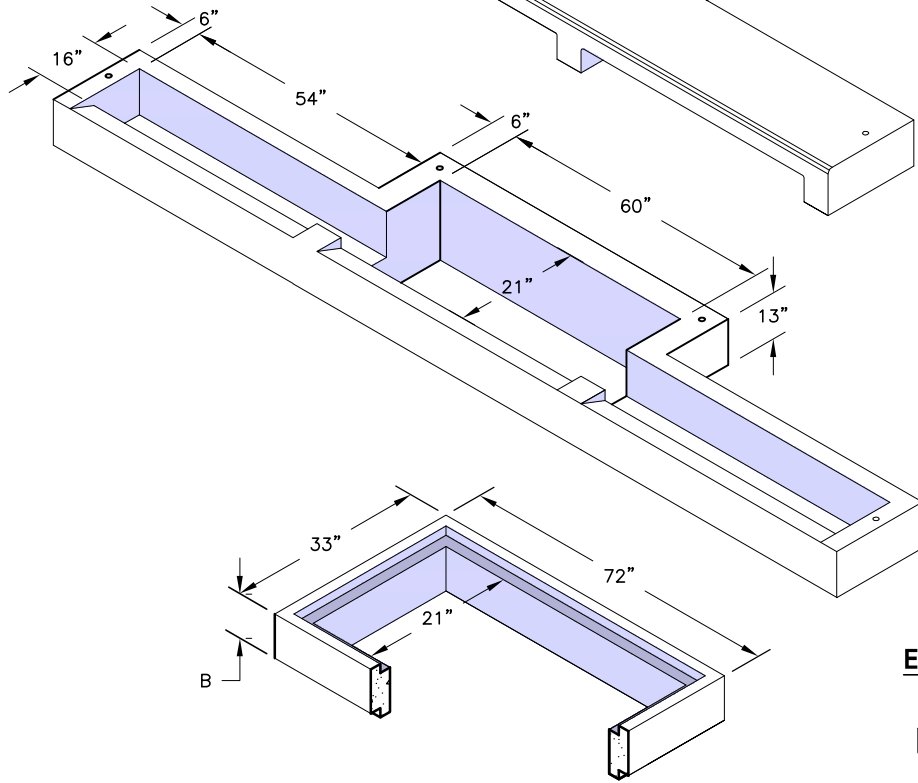


Curb Top w/ Extensions

Weight : 3,490 lbs.

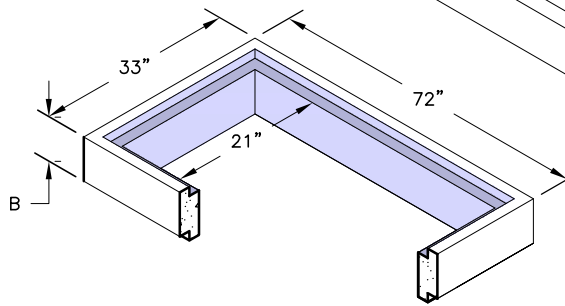
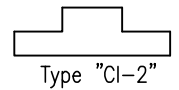

Midsection w/ 2 Extensions

Weight : 2,975 Lbs.


Variable Riser

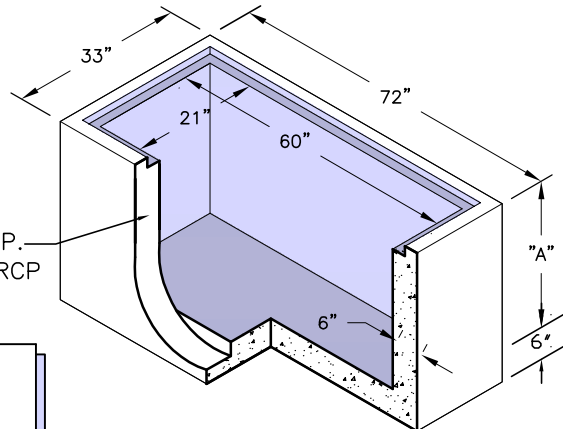
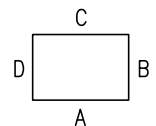
Weight : See Chart

Riser	
B	Weight (Lbs.)
6"	581
12"	1,163
24"	2,325
36"	3,488


Extension Options

Bottom :

Weight : See Chart

Bottom	
A	Weight (Lbs.)
26"	3,483
32"	3,929

 32" Height for 24" R.C.P.
 or 26" Height for 18" RCP

Typical Orientation

GENERAL NOTES:

1. Bedding Shall be in Accordance With TXDOT Plans & Specifications.
2. C.I. Ring & Cover Conforms to TXDOT Item #471