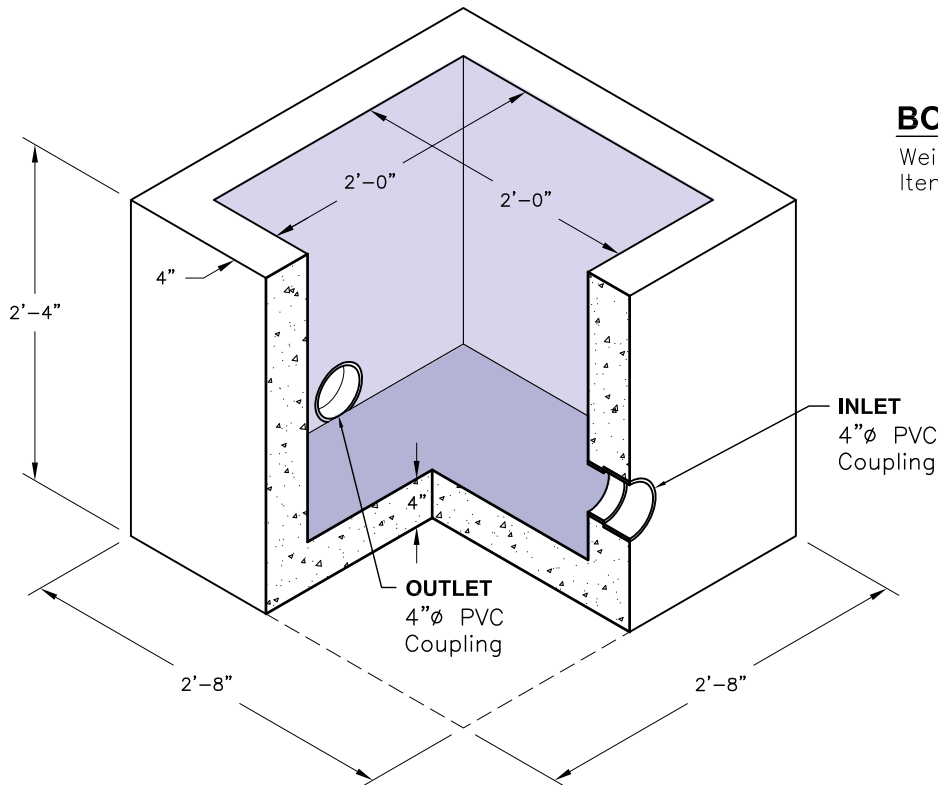


**ROOF SLAB**

Weight - 250 Lbs  
Item# - 1242180



**BOTTOM**

Weight - 1,275 Lbs  
Item# - 1241025