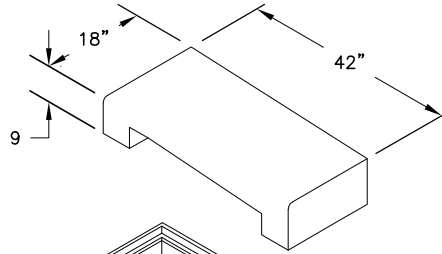
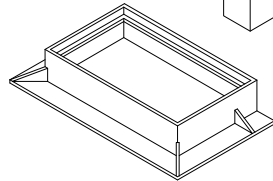


**Top**

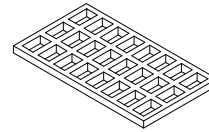
Weight : 620 Lbs.


**Cast Iron Frame**

\*Note: Grate or Plate Available on Request.

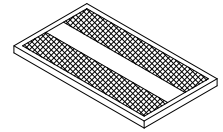


Optional



Grate

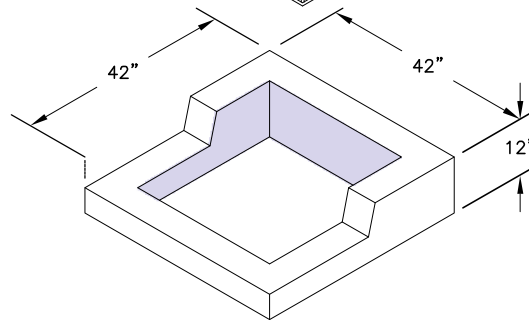
or



Plate

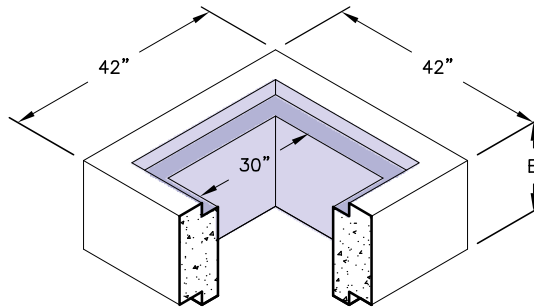
**12" Mid - Section**

Weight : 565 Lbs.


**Variable Riser**

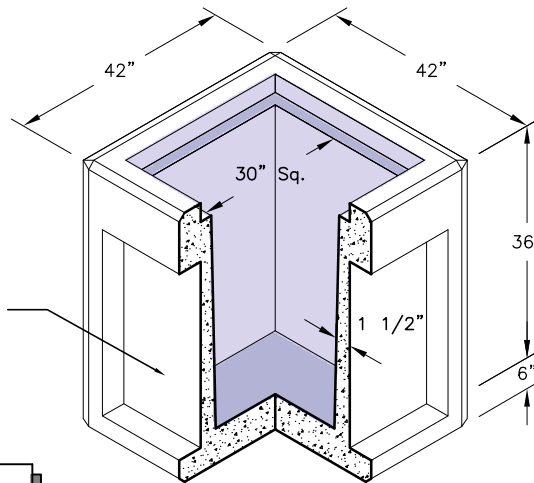
Weight : See chart.

Riser	
B	Weight (Lbs.)
6"	450
12"	900


**Bottom :**

Weight : See Chart

Bottom	
Wall(s)	Weight (Lbs.)
4-Way	2,350


 Thinwall Knockout  
 for 24" RCP and Smaller  
 (Typical All Four Walls)

**GENERAL NOTES:**

1. Bedding Shall be in Accordance With Job and Plan Specifications.