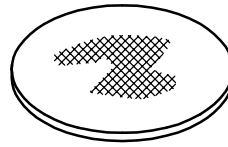


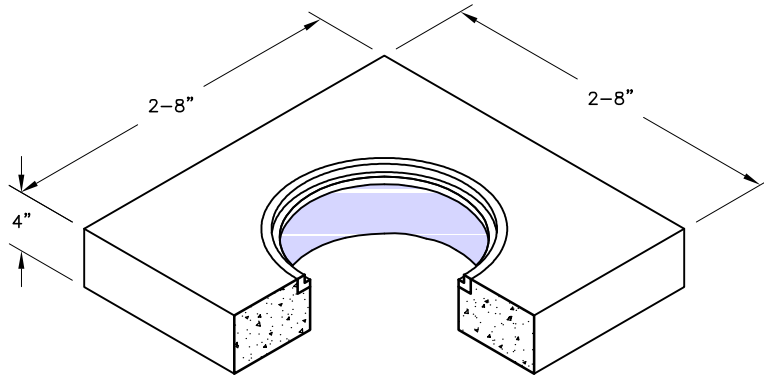
**18"Ø C.I. Cover**

Weight - 65 Lbs.  
Item# - 7103100



**Roof Slab W/ Frame**

Weight - 300 Lbs.  
Item# - 1040480



**Body**

Weight - See Table  
Item# - See Table

