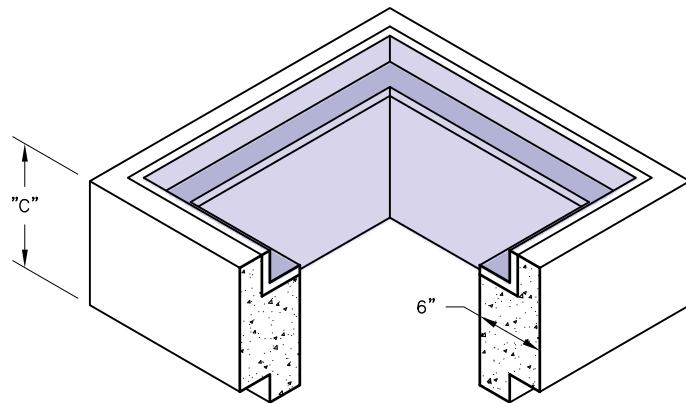


C.I. Grate

Weight - 210 Lbs.
Item# - 7107350

GENERAL NOTES:

1. Different Height of Extensions and Bodies are Available by Request.
2. Frames may be Cast in Extension or Body. Frames are Cast Iron or Steel. Galvanized Steel H10 Grate Also Available.

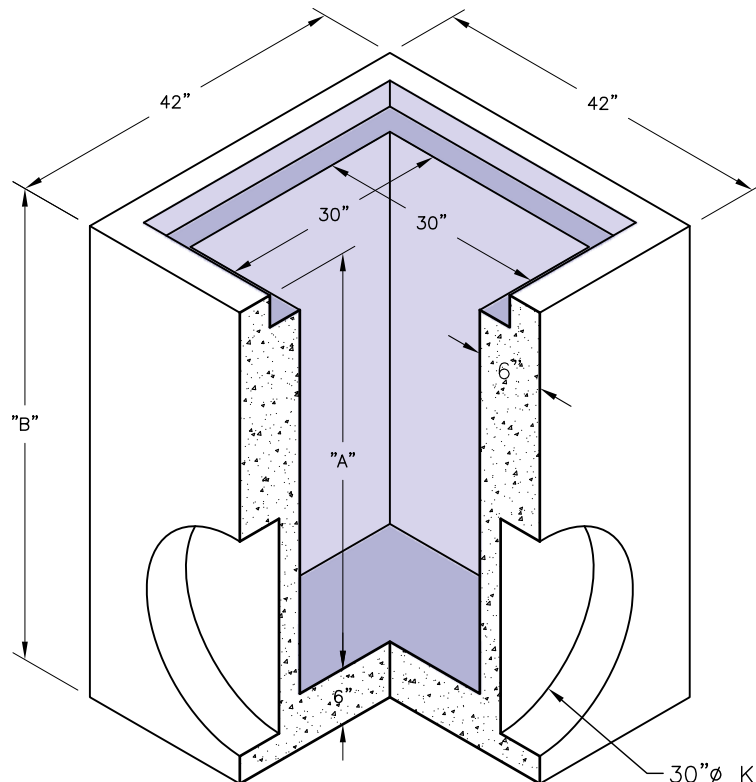


Extension w/ Frame

Weight - See Table
Item# - See Table

SPECIFICATIONS:

1. Concrete has a design strength of 5000 PSI at 28 days.
2. Steel reinforcement: ASTM A-615 Grade 60 or ASTM A-497 Welded wire fabric.
3. Loading: Designed for H20 Loading.
4. C.I. Castings: ASTM A-48, Class 30/35.



Body

Weight - See Table
Item# - See Table

Extension w/ Frame		
C	Weight	Item#
6"	450 Lbs.	1201820
12"	900 Lbs.	1202100

Body w/ Frame			
A	B	Weight	Item#
24"	30"	2725 Lbs.	1202140
30"	36"	3175 Lbs.	1201920
36"	42"	3625 Lbs.	1202000
42"	48"	4075 Lbs.	1202040
48"	54"	4525 Lbs.	1202060
60"	66"	5425 Lbs.	1202240

30"Ø Knockout
(Typical)