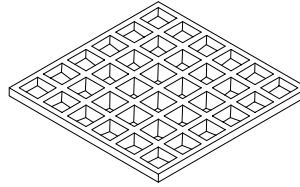
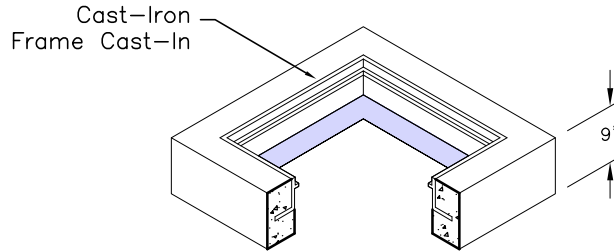
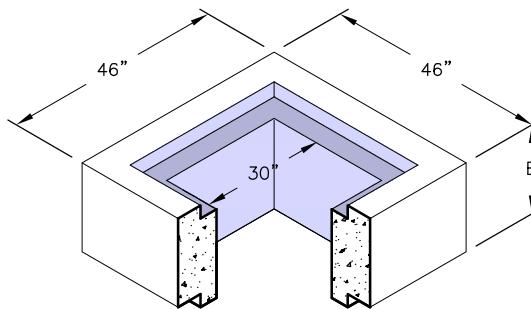


Grate :

 C.I. V4880-1
 Weight : 200 Lbs.

Frame :

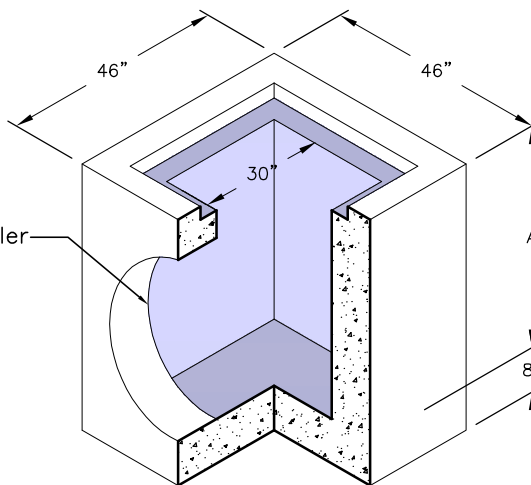
 C.I. V4880 Series
 Weight : 229 Lbs.

Type "A" Top

Weight : 950 Lbs.


Variable Riser

Weight : See Chart

Riser	
B	Weight (Lbs.)
6"	620
12"	1,250
24"	2,430
36"	3,630
48"	4,830


Bottom :

Weight : See Chart

Riser	
A	Weight (Lbs.)
36"	4,457
42"	5,095
48"	5,696
54"	6,295
60"	6,895

GENERAL NOTES:

1. Bedding Shall be in Accordance With TXDOT Plans and Specifications.