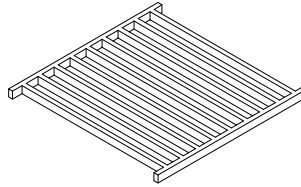


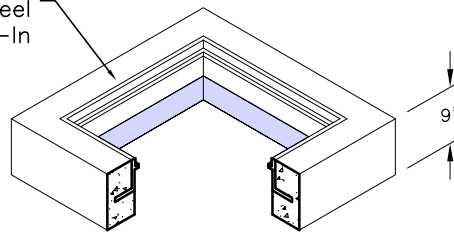
Grate :

C.I. V4880-2
 Weight : VFY Lbs.

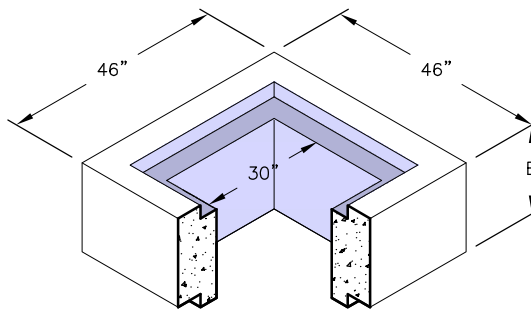

Frame :

C.I. V4880 Series
 Weight : 229 Lbs.

Cast-Iron or
 Structural Steel
 Frame Cast-In

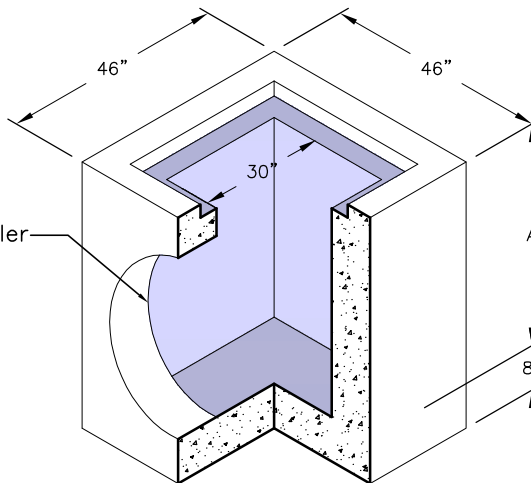

Type "AD" Top

Weight : 1,225 Lbs.


Variable Riser

Weight : See Chart

Riser	
B	Weight (Lbs.)
6"	620
12"	1,250
24"	2,430
36"	3,630
48"	4,830



Hole Specific Knockouts
 For 24" R.C.P. or Smaller

Bottom :

Weight : See Chart

Riser	
A	Weight (Lbs.)
36"	4,457
42"	5,095
48"	5,696
54"	6,295
60"	6,895

GENERAL NOTES:

1. Bedding Shall be in Accordance With TXDOT Plans and Specifications.