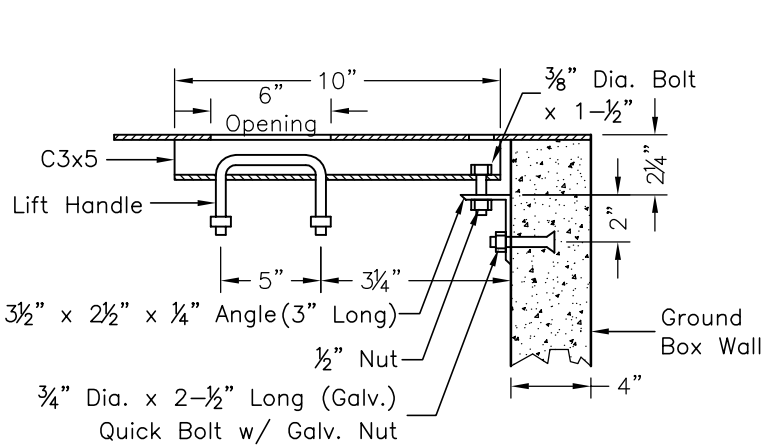


**Ground Box Cover**  
Weight- 151 lbs.

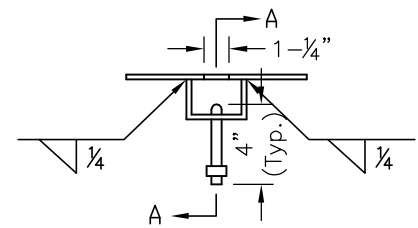
**Ground Box**  
Weight- 1400 lbs.

24" x 12" Thin Wall  
K.O.'s, all Four Sides  
Centered

12" x 12" Thin Wall  
K.O.'s, all Four Sides  
Centered



**Assembly Detail**



**Detail "A"**  
Lift Handle

**SPECIFICATIONS:**

1. Concrete: Design Strength of 5500 PSI at 28 Days.
2. Steel Reinforcement: ASTM A-615 Grade 60.
3. Loading: Designed for HS-20 Loading.

SCALE: N.T.S.