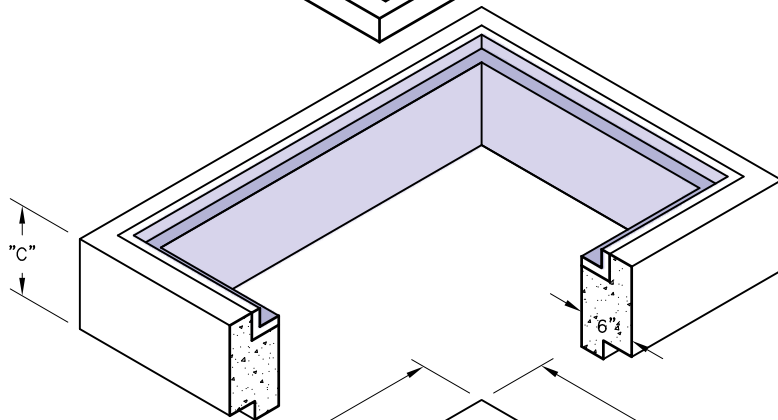
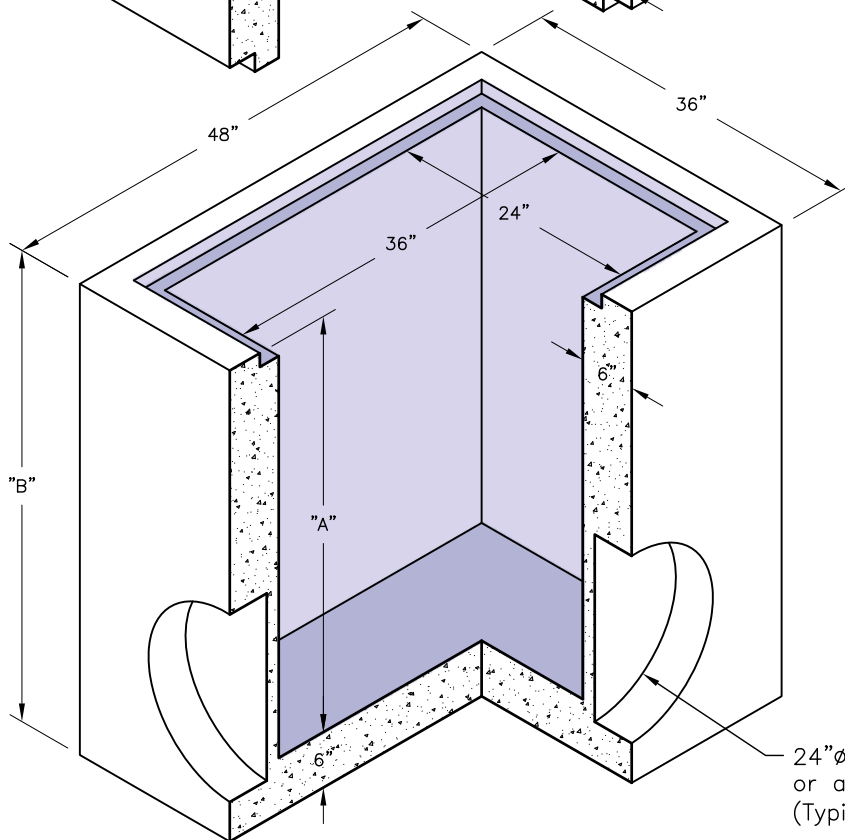

**C.I. Grate**

 Weight - 250 Lbs.  
 Item# - 7105200

**Extension w/ Frame**

 Weight - See Table  
 Item# - See Table

**GENERAL NOTES:**

1. Different Height of Extensions and Bodies are Available by Request.
2. Frames may be Cast in Extension or Body. Frames are Cast Iron or Steel. H10 Grate Also Available.

**SPECIFICATIONS:**

1. Concrete has a design strength of 5000 PSI at 28 days.
2. Steel reinforcement: ASTM A-615 Grade 60 or ASTM A-497 Welded wire fabric.
3. Loading: Designed for H20 Loading.
4. C.I. Castings: ASTM A-48, Class 30/35.

**Body**

 Weight - See Table  
 Item# - See Table

Extension w/ Frame		
C	Weight	Item#
12"	900 Lbs.	1202940
18"	1350 Lbs.	1202960

Body w/ Frame			
A	B	Weight	Item#
12"	18"	1800 Lbs.	1202920
24"	30"	2700 Lbs.	1202980
30"	36"	3150 Lbs.	1203020
36"	42"	3600 Lbs.	1203100
42"	48"	4050 Lbs.	1203140
60"	66"	5400 Lbs.	1203220

 24"Ø Knockout  
 or as Required  
 (Typical)