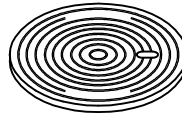


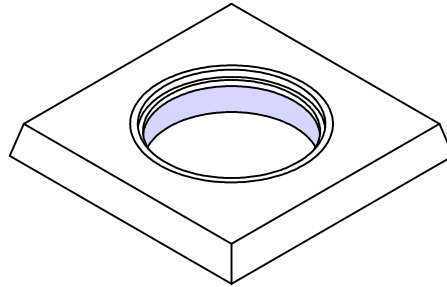
19" Ø C.I. COVER

Weight - 55 Lbs.
Item# - 7102600



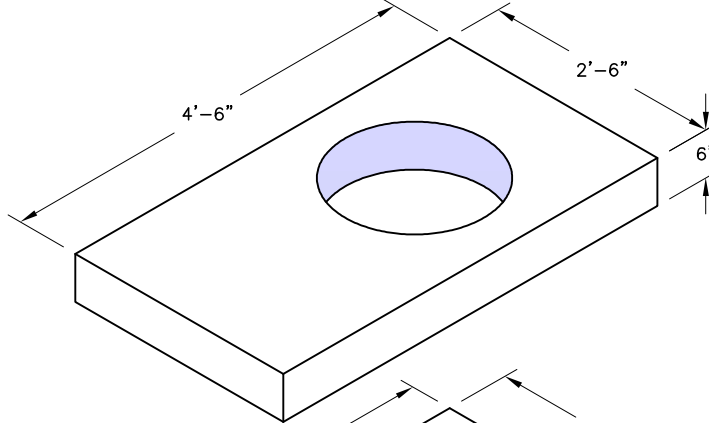
4" EXTENSION W/ FRAME

Weight - 150 Lbs.
Item# - 1242160



O.I. BASIN COVER

Weight - 750 Lbs.
Item# - 1241800



O.I. BASIN BODY

Weight - 3600 Lbs.
Item# - 1241760

