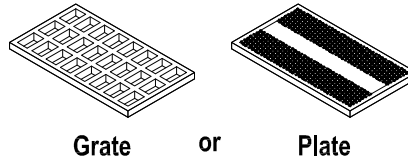
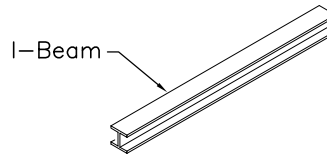
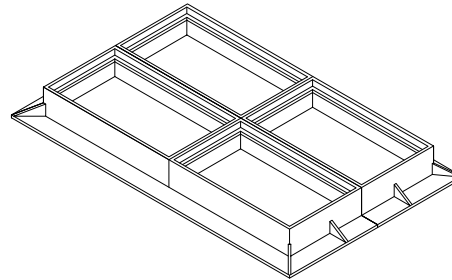


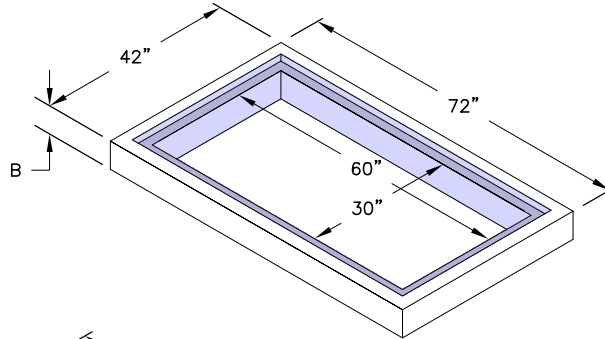
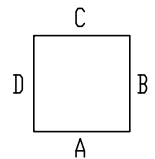
**Optional**

**4 Cast Iron Frames & I-Beam**

\*Note: Grates or Plates Available on Request.  
(Cast Into Paving)


**Variable Riser**

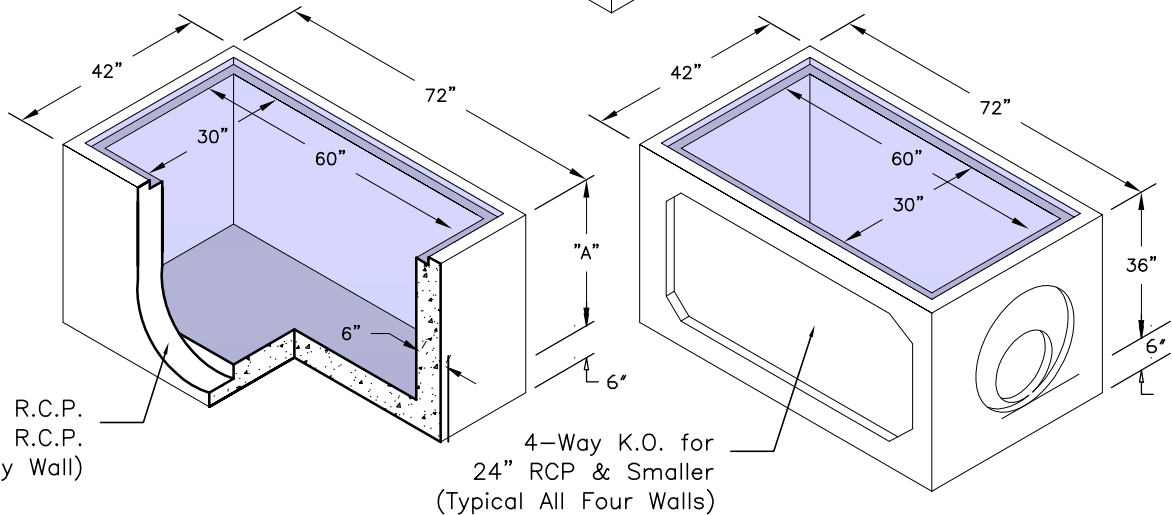
Weight : See Chart

Riser	
B	Weight (Lbs.)
6"	648
12"	1,275

**Typical Orientation**

**Bottom :**

Weight : See Chart

Bottom		
A	Weight (Lbs.)	Wall(s)
26"	4,021	A
32"	4,421	A
36"	4,082	4-Way



32" Height for 24" R.C.P.  
26" Height for 18" R.C.P.  
(Typical Any Wall)

4-Way K.O. for  
24" RCP & Smaller  
(Typical All Four Walls)

**GENERAL NOTES:**

1. Bedding Shall be in Accordance With Job and Plan Specifications.