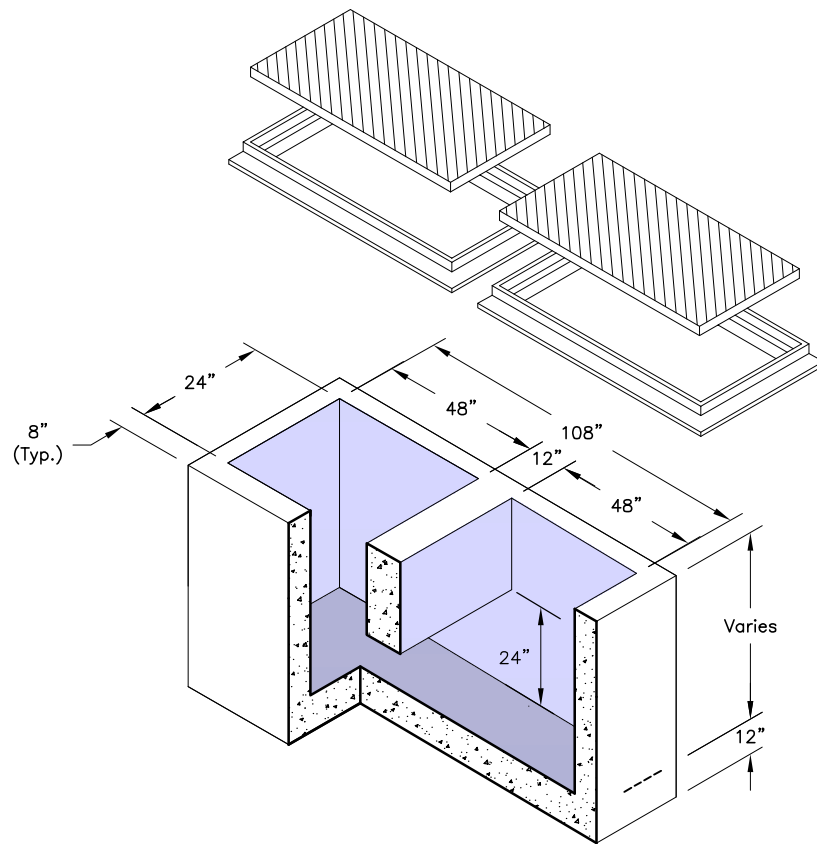


(2) R3572 or R3574 C.I.
Frames & Grates

To be Cast-In Pavement



"AZ" Body

Weight : Varies with Height
 and Pipe Orientation

GENERAL NOTES:

1. Different Height Extension and Bottoms Are Available On Request.
2. Some Bottoms may Require Special Reinforcement and Thicker Walls at Extreme Depths.