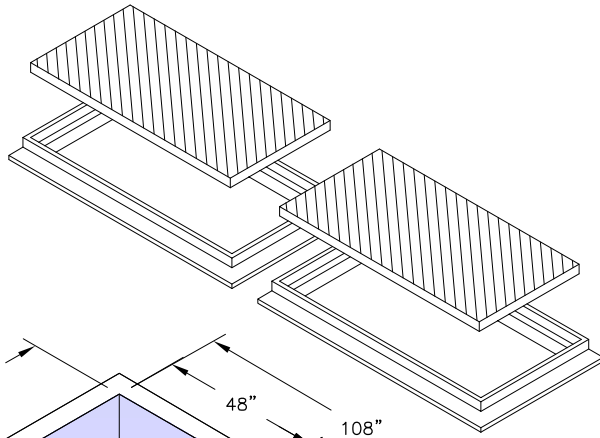


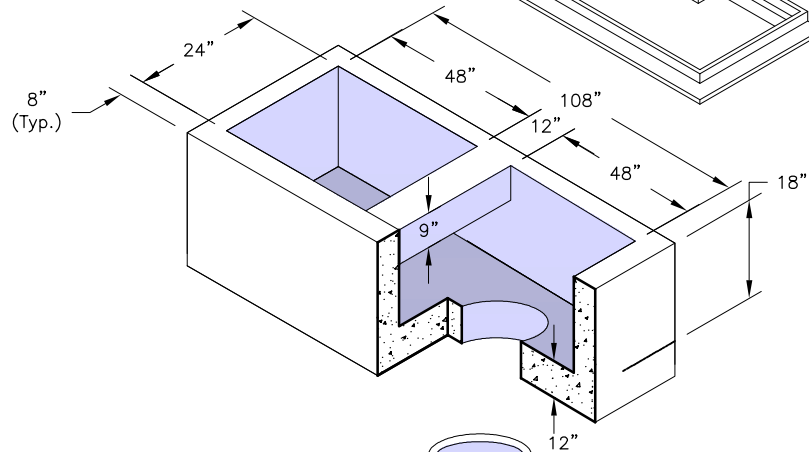
(2) R3572 or R3574 C.I.

Frames & Grates

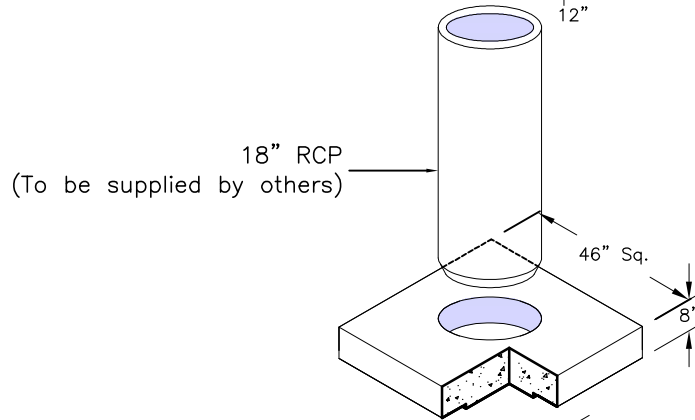
To be Cast-In Pavement



Receiver Body

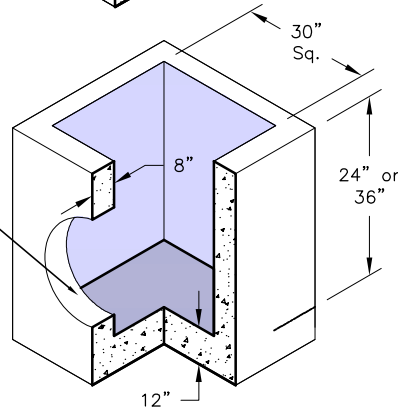


Transition Slab



Junction Box Body

Hole Specific Knockouts
 For 24" R.C.P. or Smaller



GENERAL NOTES:

1. Different Height Extension and Bottoms Are Available On Request.
2. Some Bottoms may Require Special Reinforcement and Thicker Walls at Extreme Depths.