

GENERAL NOTES:

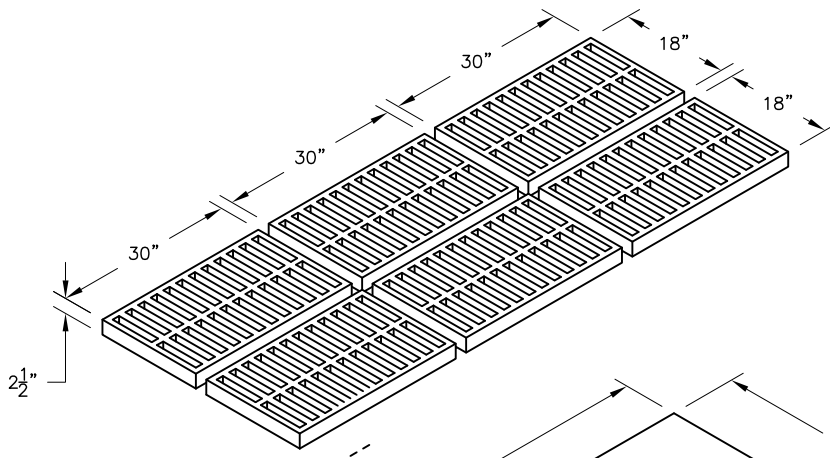
1. Different Height of Bodies are Available by Request.

(6) C.I. Grates

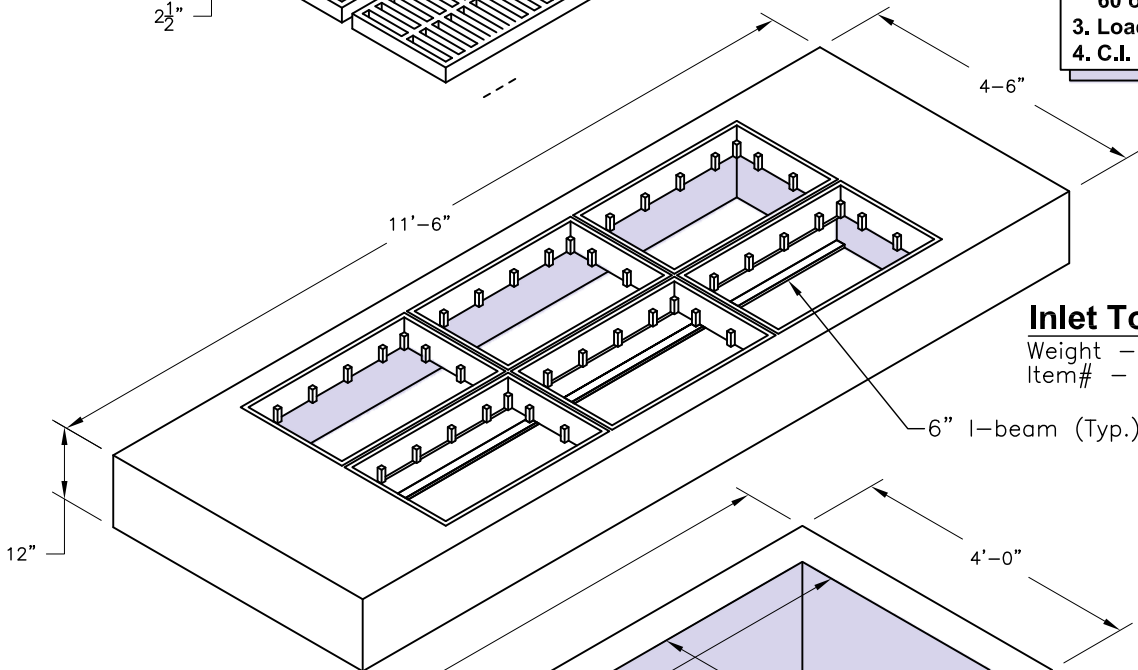
Weight - 160 Lb. Ea.
Item# - 7103500

SPECIFICATIONS:

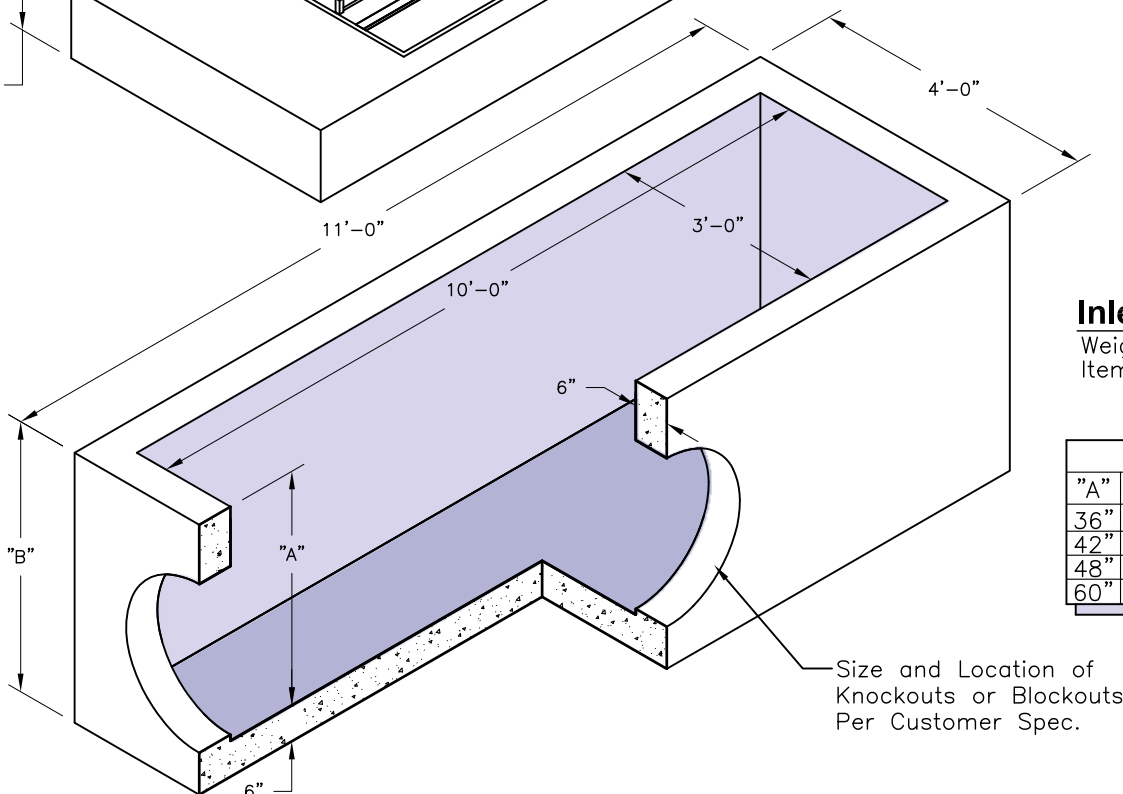
1. Concrete has a design strength of 5000 PSI at 28 days.
2. Steel reinforcement: ASTM A-615 Grade 60 or ASTM A-497 Welded wire fabric.
3. Loading: Designed for H20 Loading.
4. C.I. Castings: ASTM A-48, Class 30/35.


Inlet Top w/ 6 Frames

Weight - 4,200 Lb.
Item# - 1207160


Inlet Body

Weight - See Table
Item# - See Table



Body			
"A"	"B"	Weight	Item#
36"	42"	9,600 Lbs.	1203320
42"	48"	10,650 Lbs.	1203360
48"	54"	11,700 Lbs.	1203380
60"	66"	13,800 Lbs.	1203400

Size and Location of
Knockouts or Blockouts
Per Customer Spec.