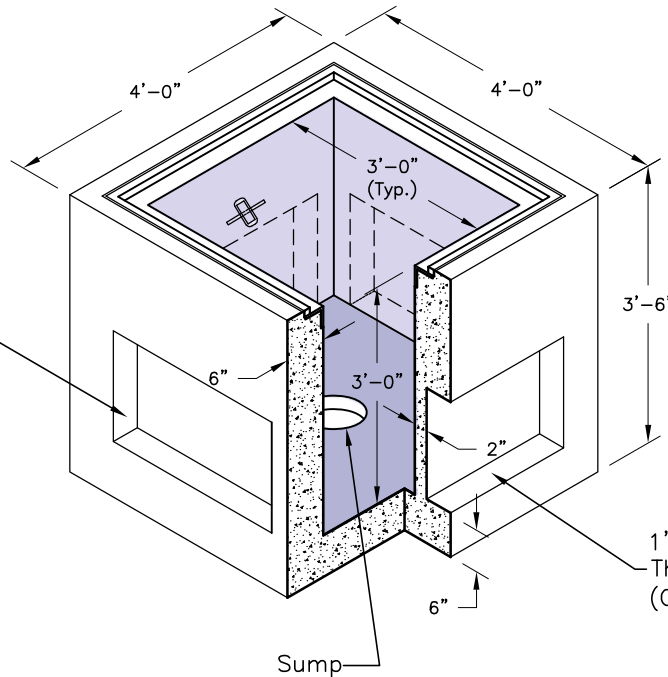


**Galv. Steel Traffic Cover  
Bolt-Down**

(Marked "Elec")  
Weight - 290 Lbs.



**Body w/ Galvanized  
Frame**

Weight - 3850 Lbs.

1'-0" x 2'-6"  
Thin Wall K.O.  
(On All Four Sides)

Sump

**SPECIFICATIONS:**

1. Concrete: Design Strength of 5500 PSI at 28 Days.
2. Steel Reinforcement: ASTM A-615 Grade 60.
3. Loading: Designed for HS-20 Loading.

**GENERAL NOTES:**

1. Thin Wall Knock Outs Available in Different Sizes Upon Request.
2. All Weights Calculated with Solid Walls.