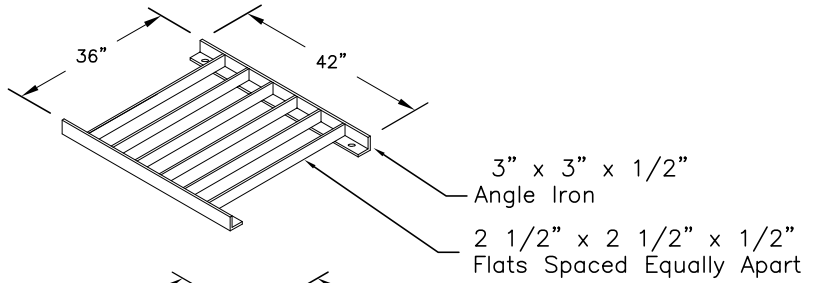
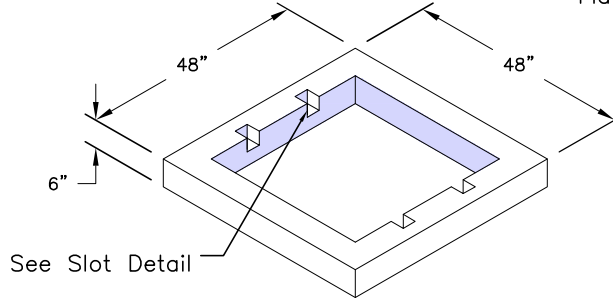


Galvanized Steel Grate

Weight : 225 Lbs.

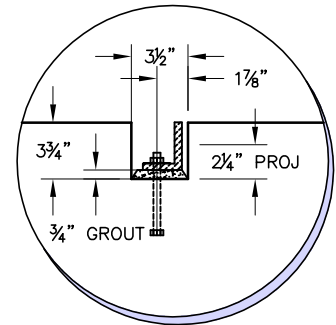
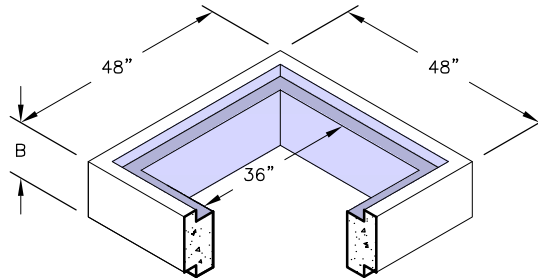

Top

Weight : 500 Lbs.

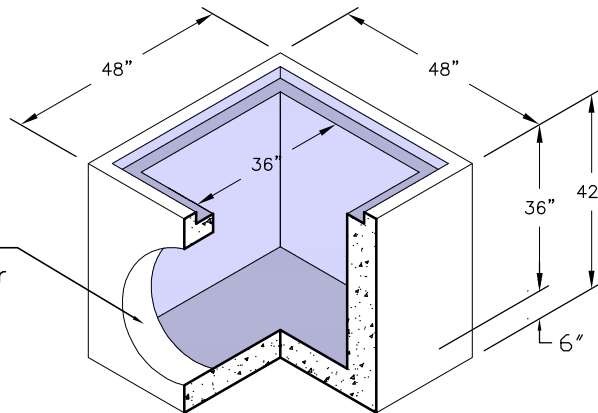

Variable Riser

Weight : See chart.

Riser	
B	Weight (Lbs.)
6"	485
12"	1,000


Slot Detail
Bottom :

Weight : Varies

 Hole Specific Knockouts
 For 24" R.C.P. or Smaller

GENERAL NOTES:

1. Bedding Shall be in Accordance With Job and Plan Specifications.