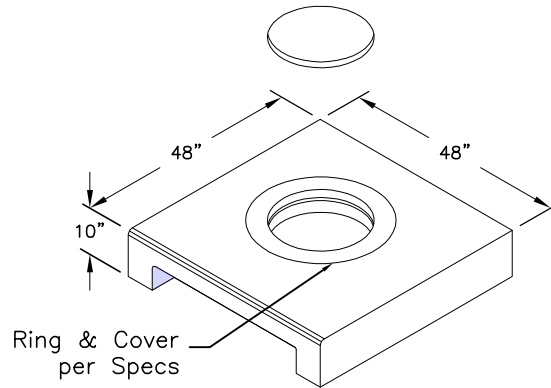


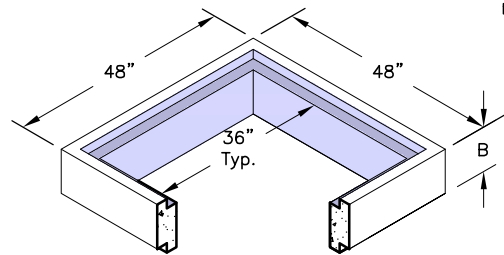
**Top :**

Weight : 2,040 Lbs.


**Variable Riser**

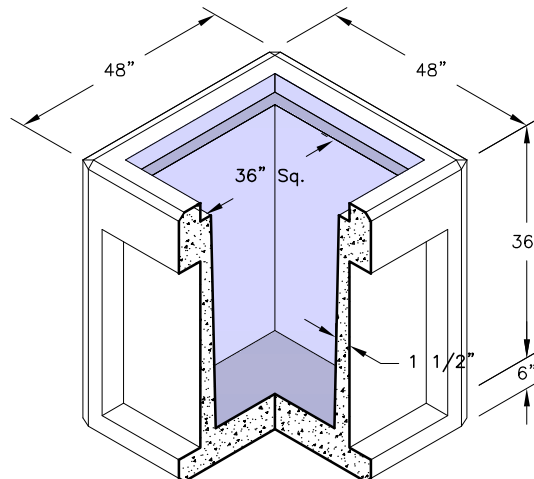
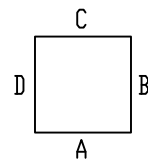
Weight : See chart.

Riser	
B	Weight (Lbs.)
6"	495
12"	1,000


**Bottom :**

Weight : See Chart

Bottom	
Wall(s)	Weight (Lbs.)
4-Way	3,220


**Typical Orientation**

**GENERAL NOTES:**

1. Bedding Shall be in Accordance With Job and Plan Specifications.