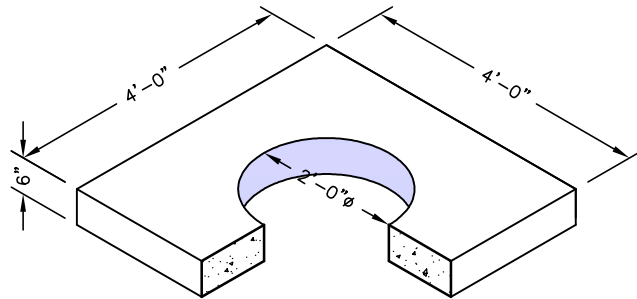


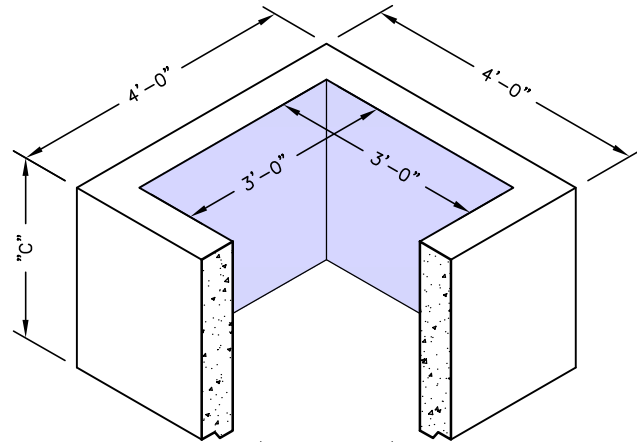
**CONCRETE SLAB TOP**

Weight - 1025 Lbs.  
Item# - 1041220



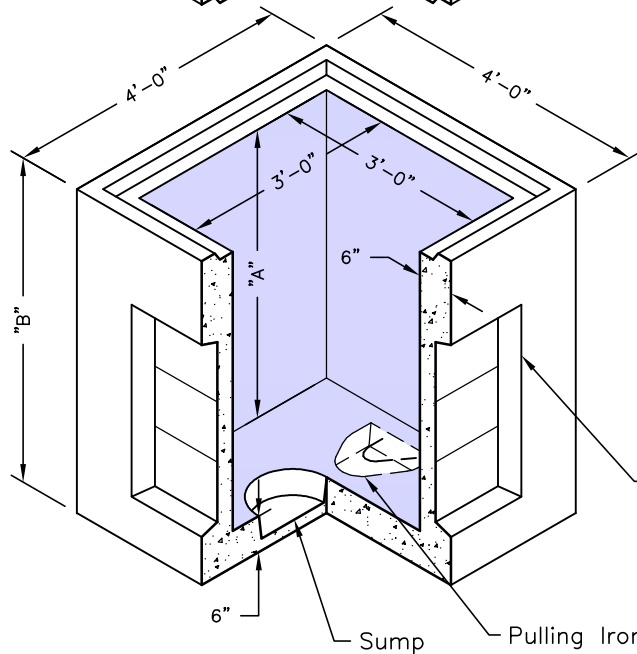
**EXTENSION**

Weight - See Table  
Item# - See Table



**BODY**

Weight - See Table  
Item# - See Table



Knockout  
Size and Location  
Varies per Customer  
Specifications

Sump Pulling Iron