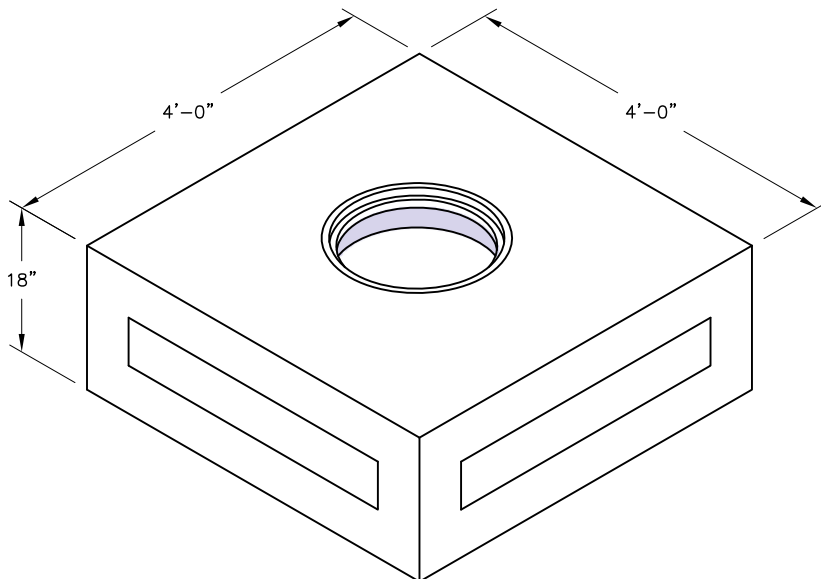



**19"Ø C.I. Cover**

 Weight - 55 Lbs.  
 Item# - 7102500

**"Y" Top w/ Frame**

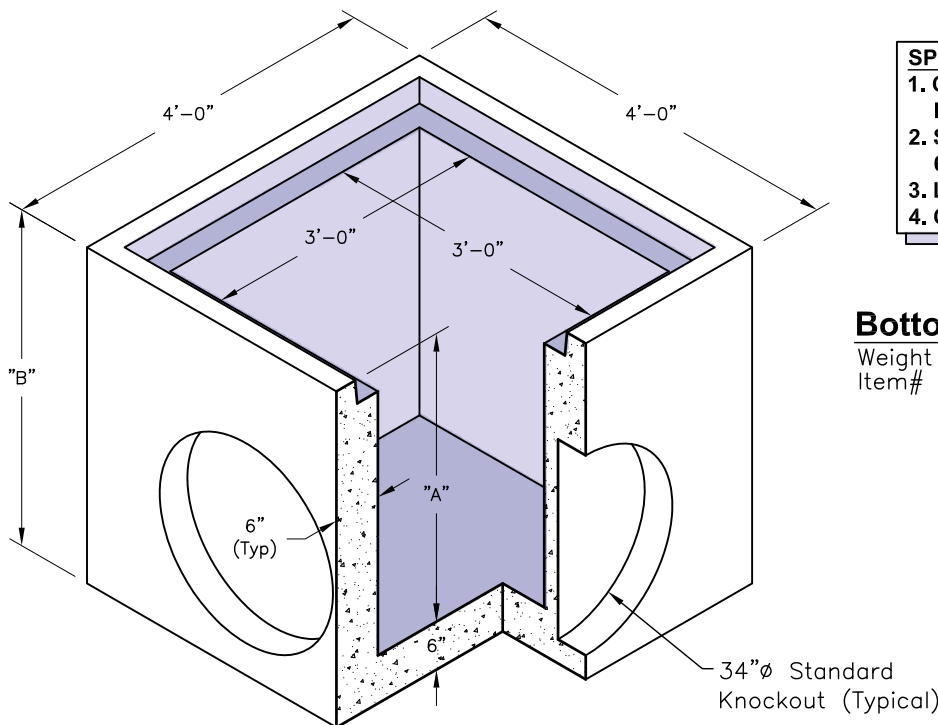
 Weight - 1725 Lbs.  
 Item# - 1207260

**GENERAL NOTES:**

1. Different Height of Bodies are Available by Request.
2. Other Frames and Covers Also Available.

**SPECIFICATIONS:**

1. Concrete has a design strength of 5000 PSI at 28 days.
2. Steel reinforcement: ASTM A-615 Grade 60 or ASTM A-497 Welded wire fabric.
3. Loading: Designed for H20 Loading.
4. C.I. Castings: ASTM A-48, Class 30/35.


**Bottom**

 Weight - See Table  
 Item# - See Table

Bottom Section			
A	B	Weight	Item #
12"	18"	2250 Lbs.	1203520
24"	30"	3300 Lbs.	1203660
30"	36"	3825 Lbs.	1203740
36"	42"	4350 Lbs.	1203780
42"	48"	4875 Lbs.	1203880
48"	54"	5400 Lbs.	1203960