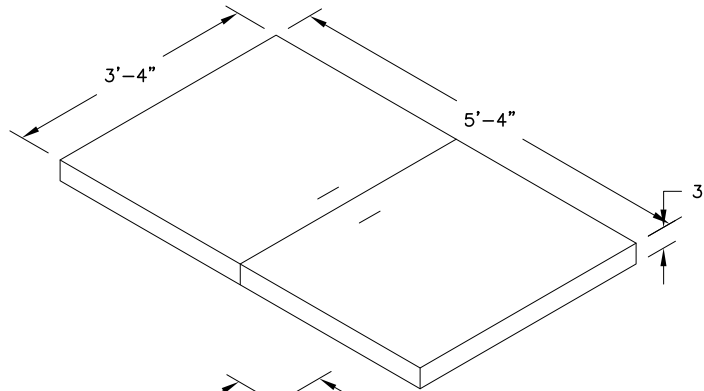


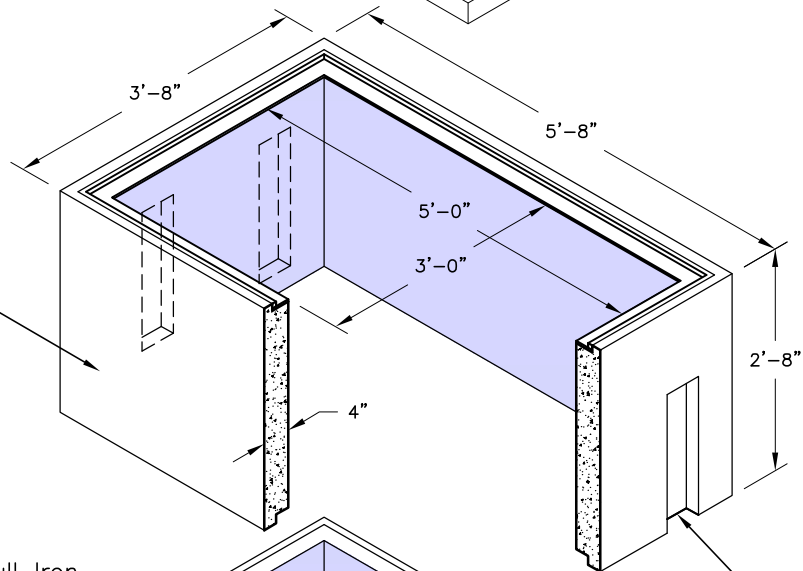
**Galv. Steel Hinged Cover
Traffic Cover**

Weight - 560 Lbs.



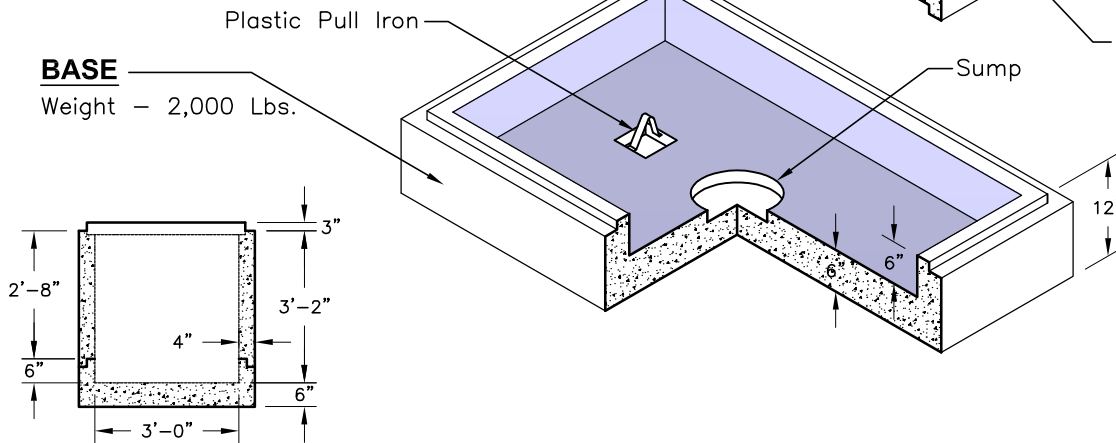
**BODY with
Galv. Steel Frame**

Weight - 2,325 Lbs.

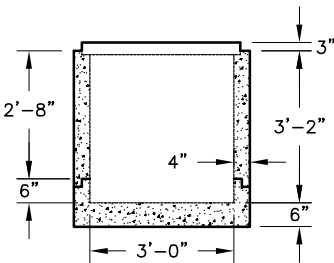


BASE

Weight - 2,000 Lbs.



Elevation



SPECIFICATIONS:

1. Concrete: Design Strength of 5500 PSI at 28 Days.
2. Steel Reinforcement: ASTM A-615 Grade 60.
3. Loading: Designed for HS-20 Loading.

GENERAL NOTES:

1. Thin Wall Knock Outs Available in Different Sizes Upon Request.
2. All Weights Calculated with Solid Walls.
3. Different Body Height is Available Upon Request.