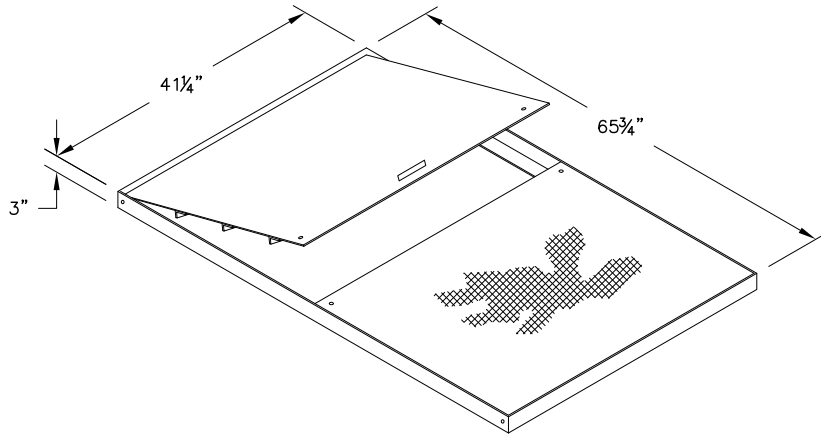


**HINGED H-20 COVER**

Weight - 470 Lbs.  
Item# - 7205600



**BODY**

Weight - 2675 Lbs.  
Item# - 1041840

