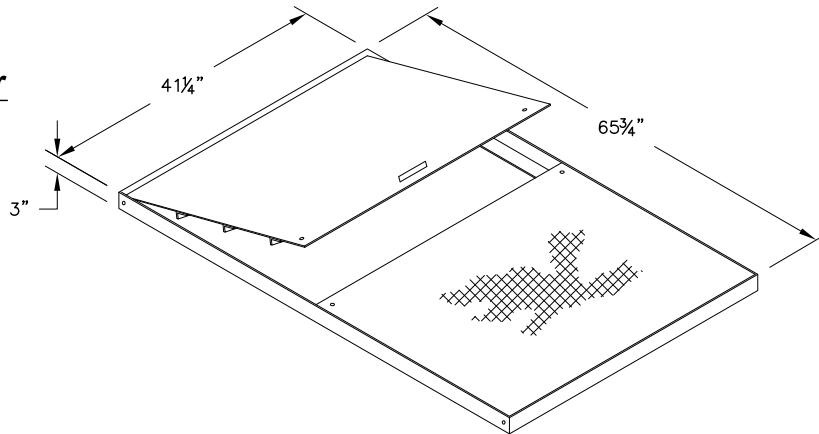
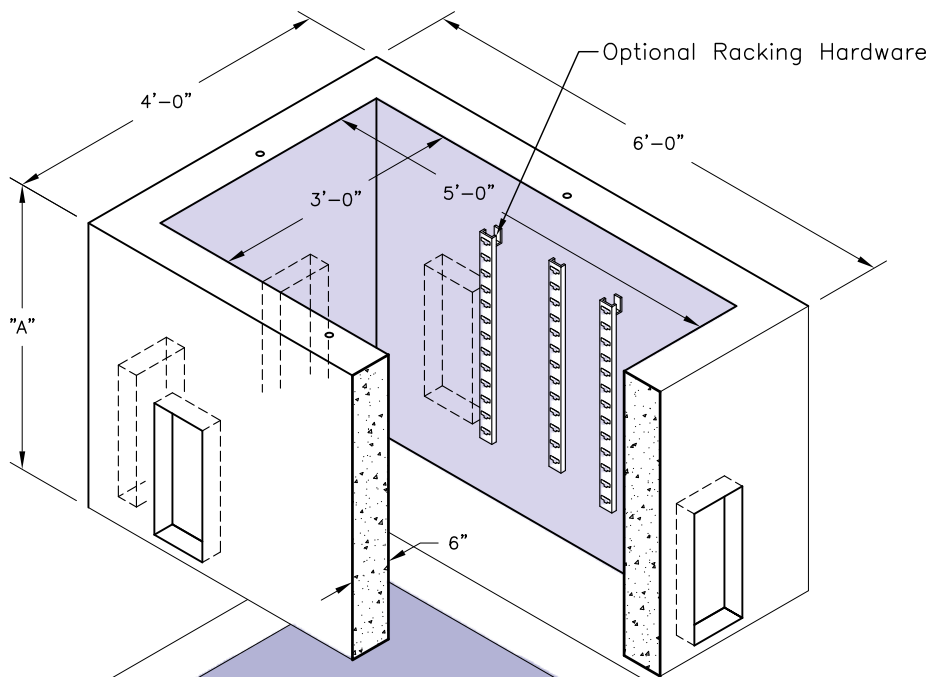
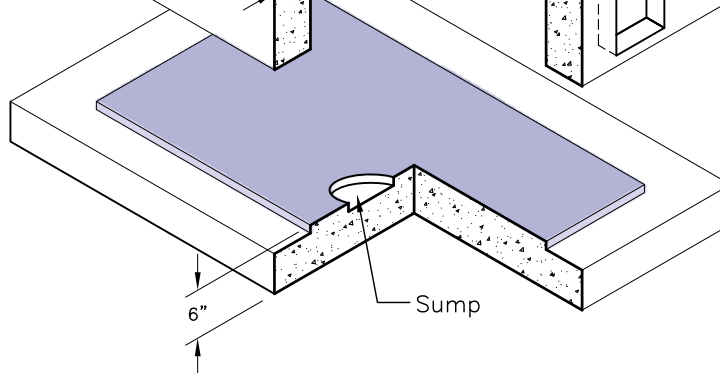


Hinged H-20 Cover

 Weight - 470 Lbs.
 Item# - 7205600

Body

 Weight - See Table
 Item# - See Table

Base Slab

SPECIFICATIONS:

1. Concrete: Design Strength of 5000 PSI at 28 Days.
2. Steel Reinforcement: ASTM A-615 Grade 60
3. Loading: Designed for HS-20 Loading.

GENERAL NOTES:

1. Different Size Bodies are Available on Request.
2. H-10 or Other Load-Rated Cover is Available On Request.