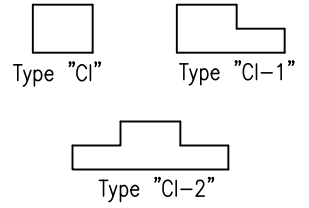
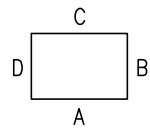


Extension Options

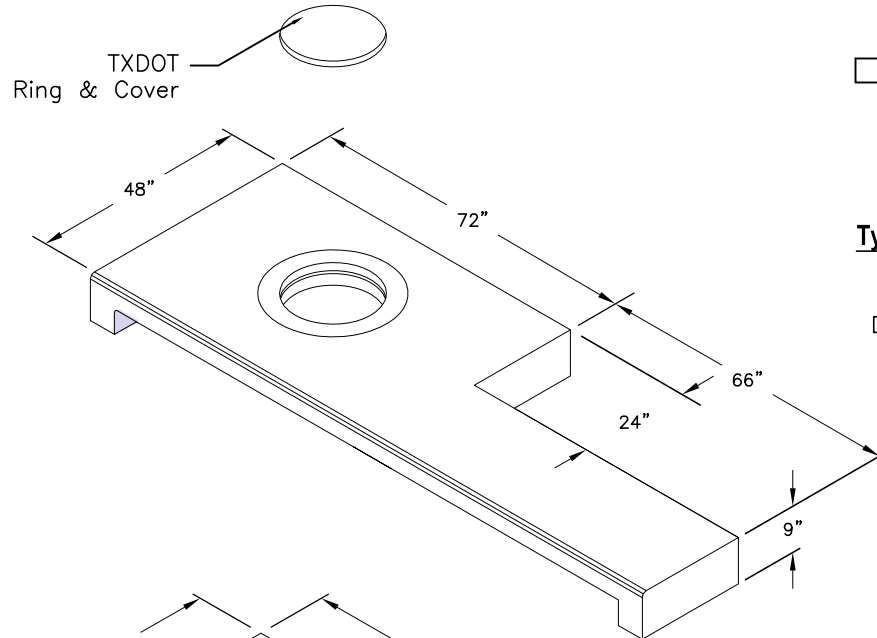


Typical Orientation



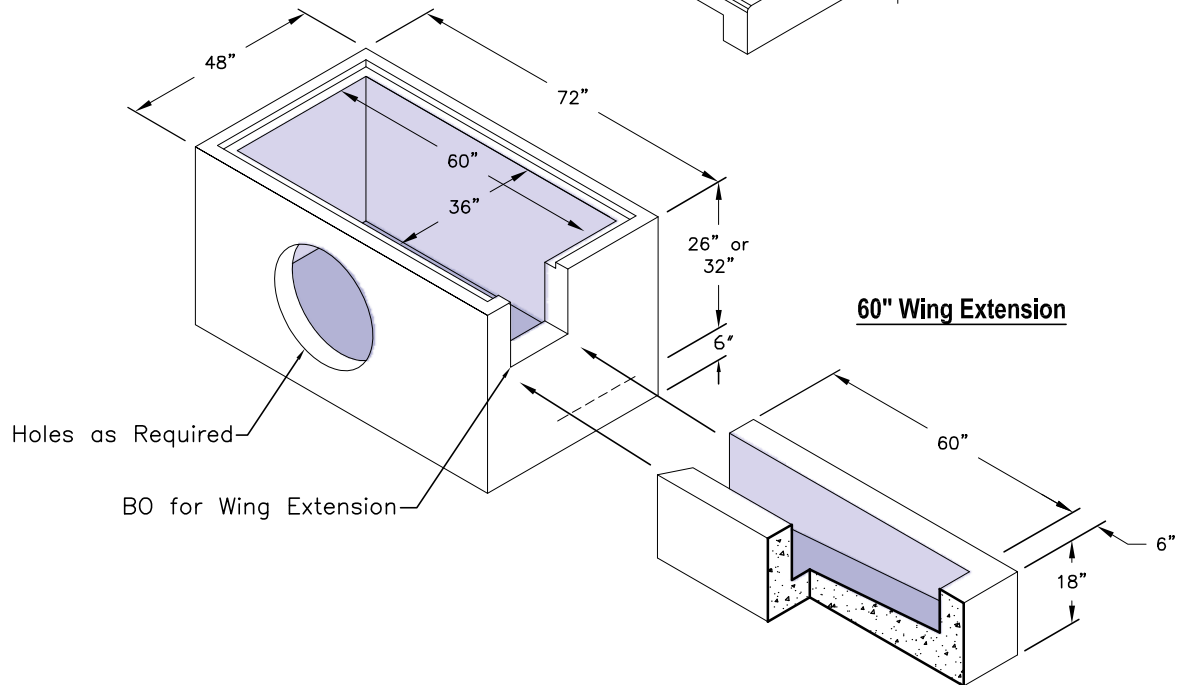
Top :

Weight : 3,200 Lbs.



Bottom :

Weight : Varies



GENERAL NOTES:

1. Bedding Shall be in Accordance With TXDOT Plans & Specifications.