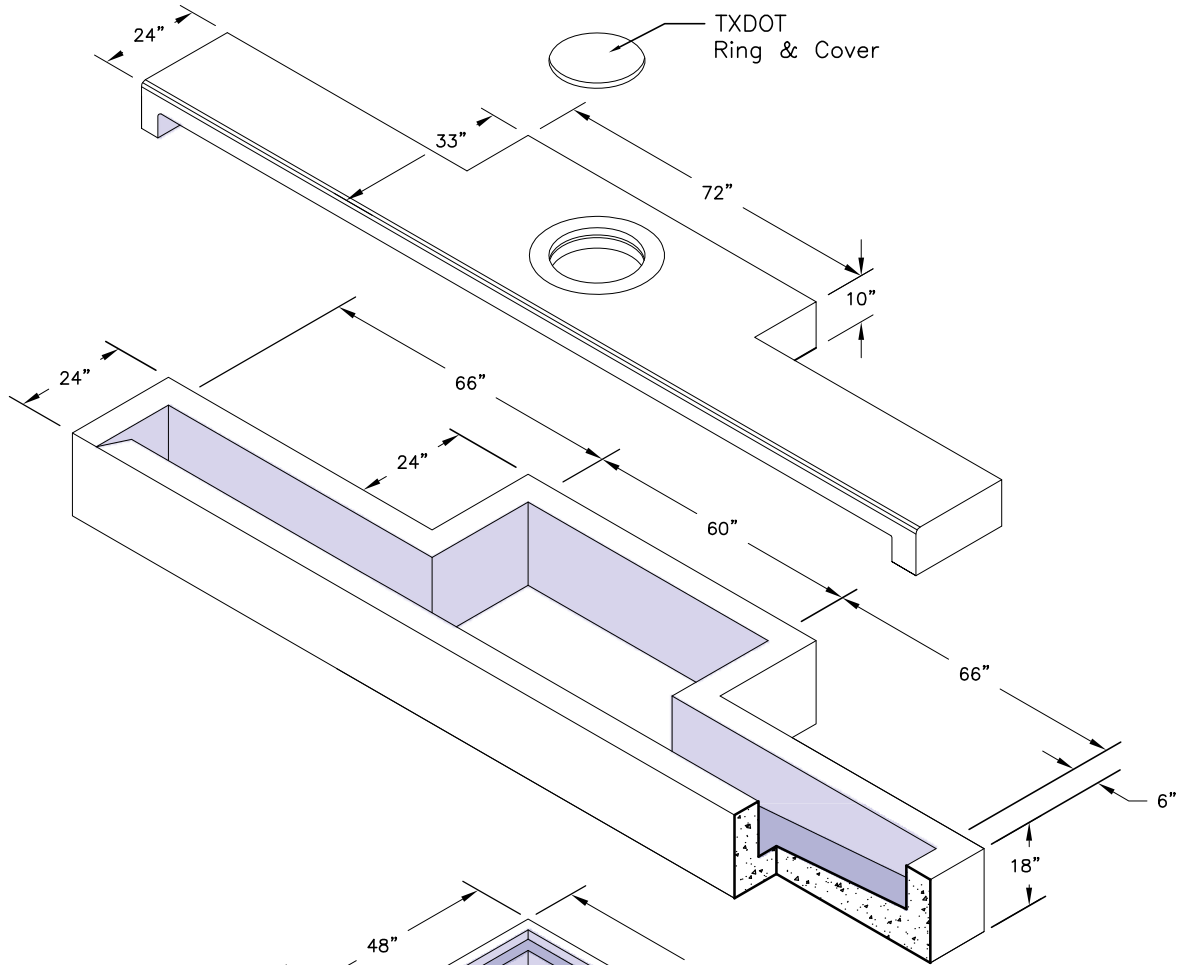


Water

36" x 60" TXDOT Type "C" With 2-Extensions
Model: 3660-C2-INL

Top :

Weight : 4,740 Lbs.



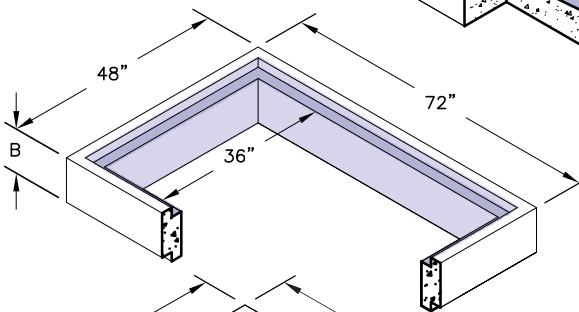
18" Mid-Section

Weight : 5,477 Lbs.

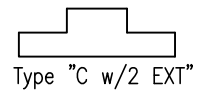
Variable Riser

Weight : See Chart

Riser	
B	Weight (Lbs.)
12"	1,350
24"	2,700
36"	4,050
48"	5,400

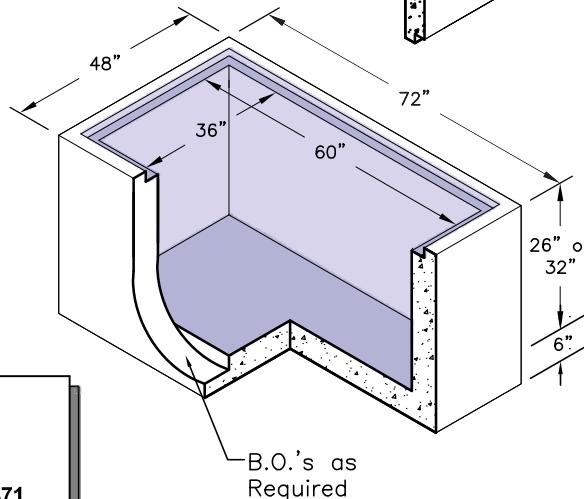


Extension Options

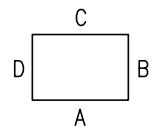


Bottom :

Weight : Varies



Typical Orientation



GENERAL NOTES:

1. Bedding Shall be in Accordance With TXDOT Plans & Specifications.
2. C.I. Ring & Cover Conforms to TXDOT Item #471