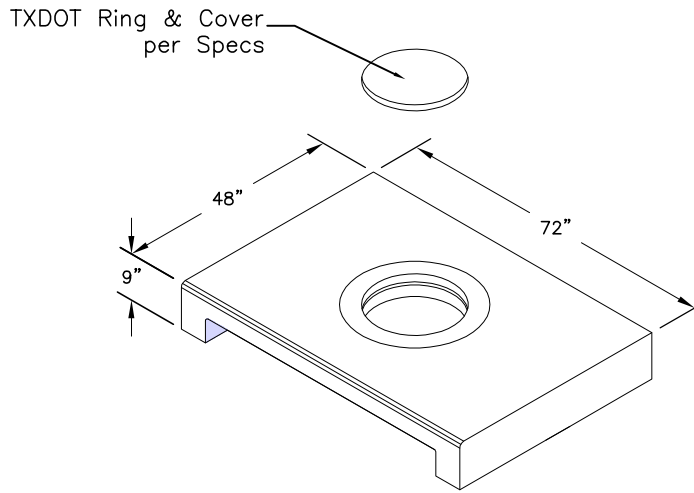


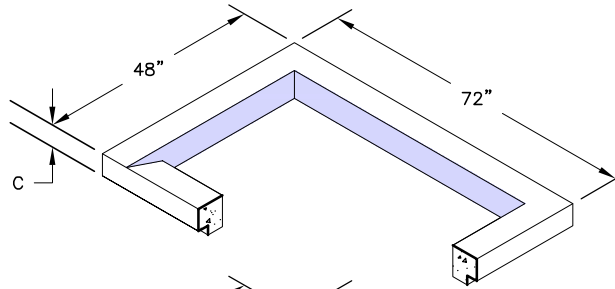
Top :

Weight : 2,600 Lbs.


Throat Riser

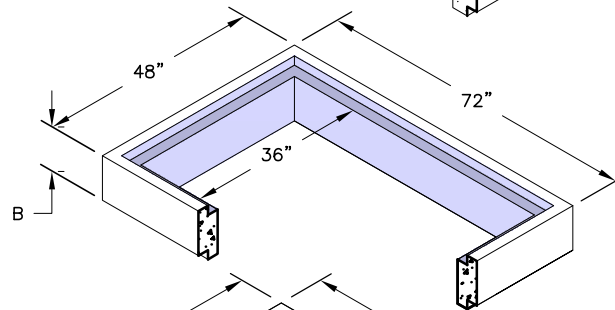
Weight : See Chart

Throat Riser	
C	Weight (Lbs.)
6"	675

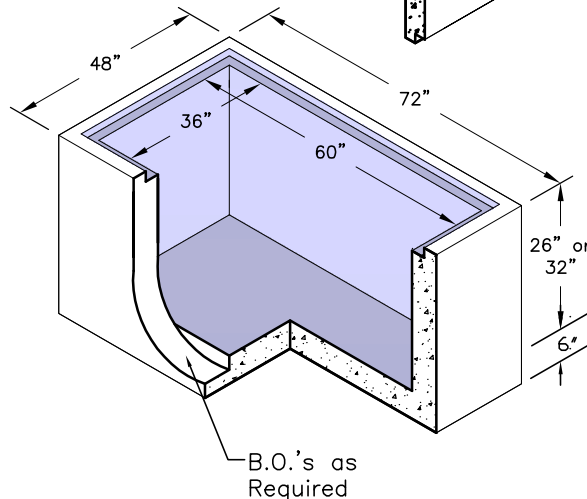

Variable Riser

Weight : See Chart

Riser	
B	Weight (Lbs.)
12"	1,350
24"	2,700
36"	4,050
48"	5,400


Bottom :

Weight : Varies with Height


GENERAL NOTES:

1. Bedding Shall be in Accordance With TXDOT Plans & Specifications.