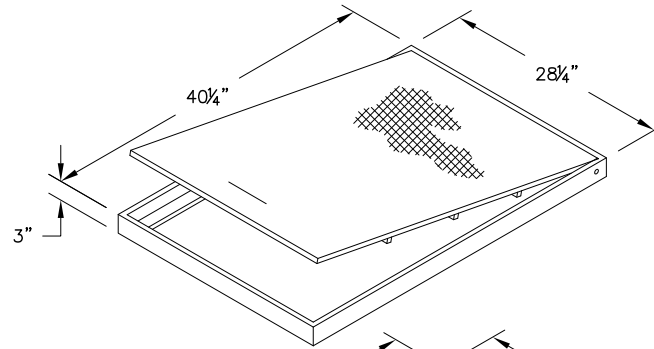


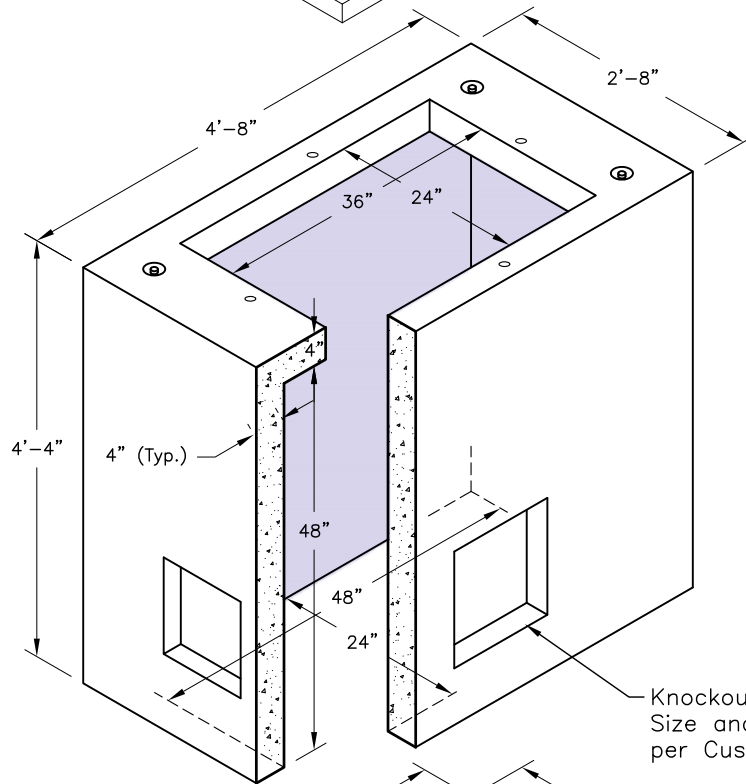
**Hinged H-10 Cover**

Weight - 182 Lbs.  
Item# - 7202200



**Body**

Weight - 3225 Lbs.  
Item# - 1041160



Knockout (Typical)  
Size and Location will Vary  
per Customer Specifications

**Floor Slab**

Weight - 625 Lbs.  
Item# - 1041140

