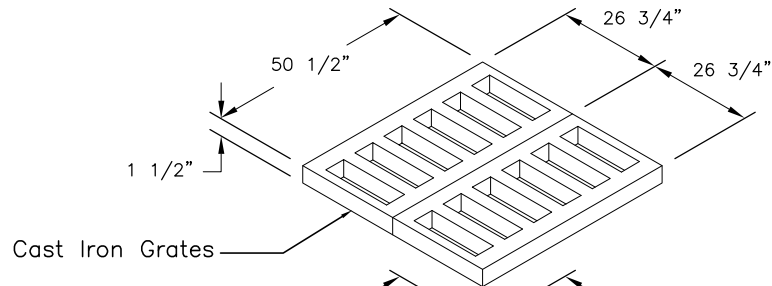
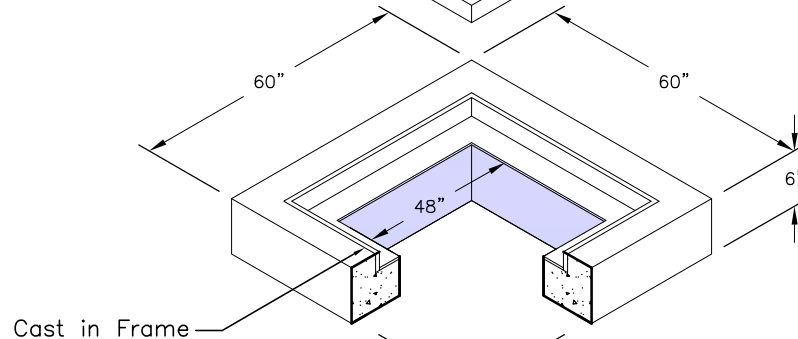


Dual Heavy Duty Grate :

Weight : 800 Lbs.
 Open Area 820 Sq. Inches

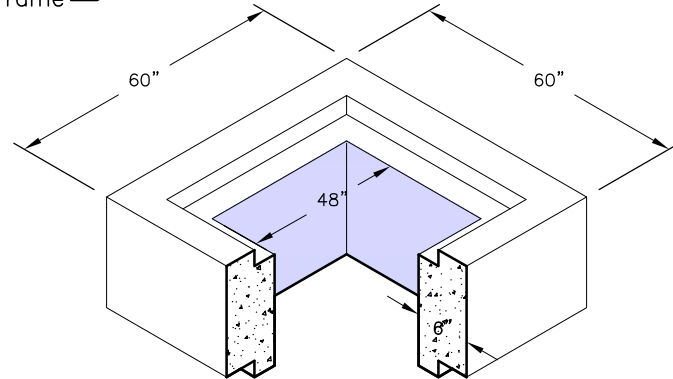

6" Trans. Top W/ Frame

Weight : 695 Lbs.


Risers

Weight : Varies

Riser	
B	Weight (Lbs.)
6"	675
12"	1,350


Bottom :

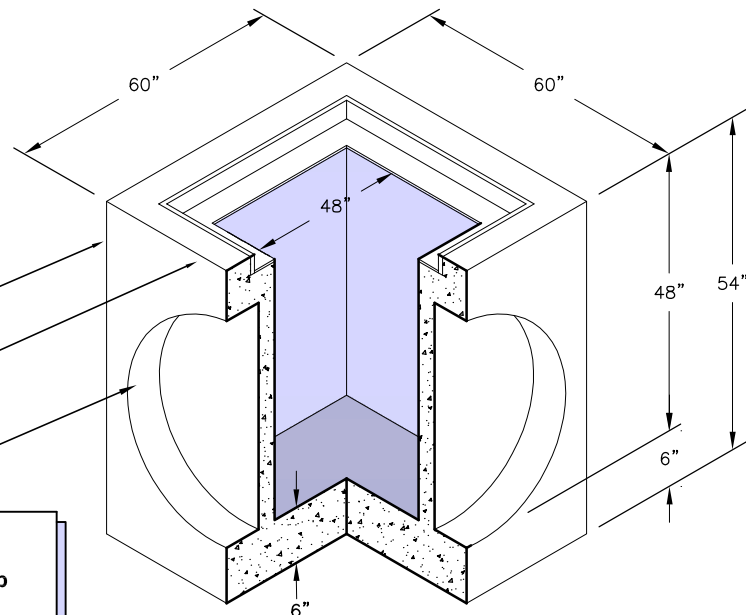
Weight : See Chart

Bottom	
Wall(s)	Weight (Lbs.)
4-Way	4,764

1" Chamfer (TYP. 4 Corners, Top & Bottom)

Cast in Frame Optional

48" Diameter Thinwall Knockout For 36" R.C.P. or Smaller (Typical All four Walls)


GENERAL NOTES:

1. Bedding Shall be in Accordance With Job and Plan Specifications.