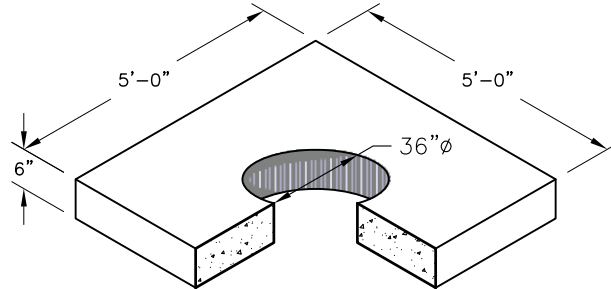


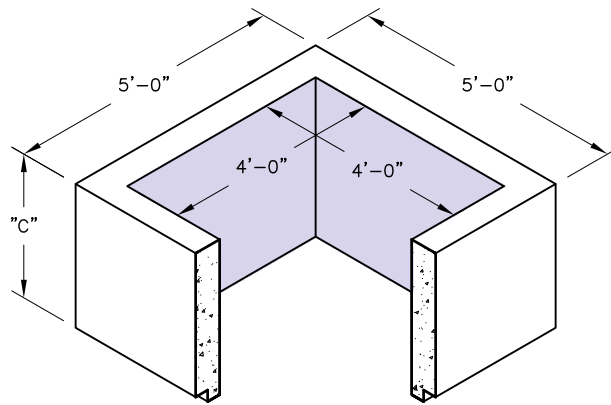
CONCRETE SLAB TOP

Weight - 1650 Lbs.
Item# - 1042380



EXTENSION

Weight - See Table
Item# - See Table



BODY

Weight - See Table
Item# - See Table

