
**Roof Slab**

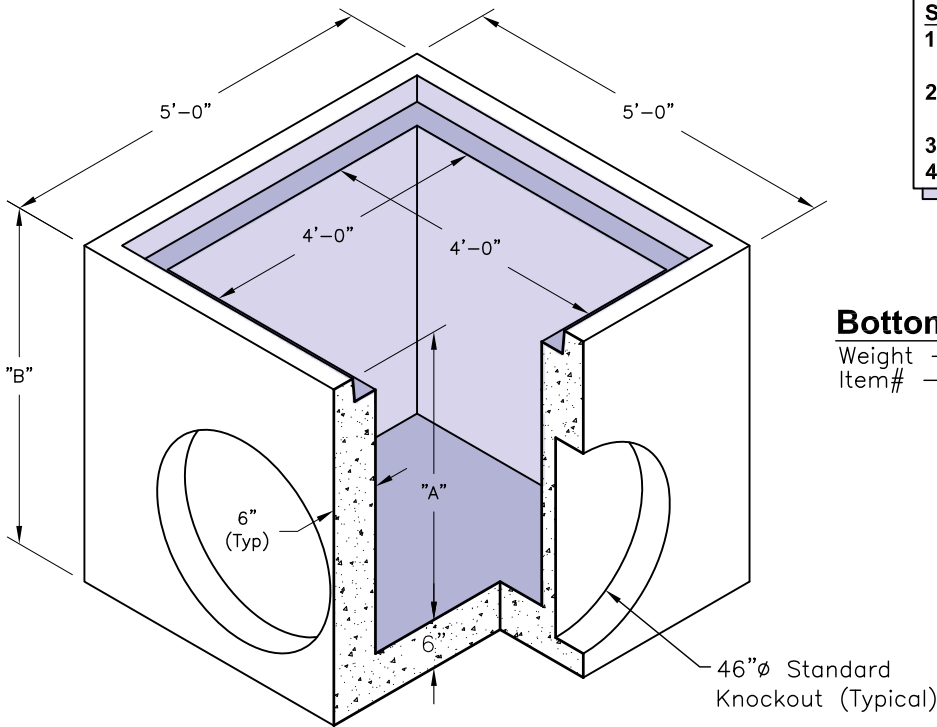
Weight - 2,200 Lbs.  
Item# - 1208240

**GENERAL NOTES:**

1. Different Height of Bodies are Available by Request.
2. Frames and Covers Also Available.

**SPECIFICATIONS:**

1. Concrete has a design strength of 5000 PSI at 28 days.
2. Steel reinforcement: ASTM A-615 Grade 60 or ASTM A-497 Welded wire fabric.
3. Loading: Designed for H20 Loading.
4. C.I. Castings: ASTM A-48, Class 30/35.


**Bottom**

Weight - See Table  
Item# - See Table

Bottom Section			
A	B	Weight	Item #
18"	24"	3900 Lbs.	1204800
24"	30"	4575 Lbs.	1204820
30"	36"	5250 Lbs.	1204880
36"	42"	5925 Lbs.	1204920
42"	48"	6600 Lbs.	1204960
48"	54"	7275 Lbs.	1205060
54"	60"	7950 Lbs.	1205100
60"	66"	8625 Lbs.	1205140