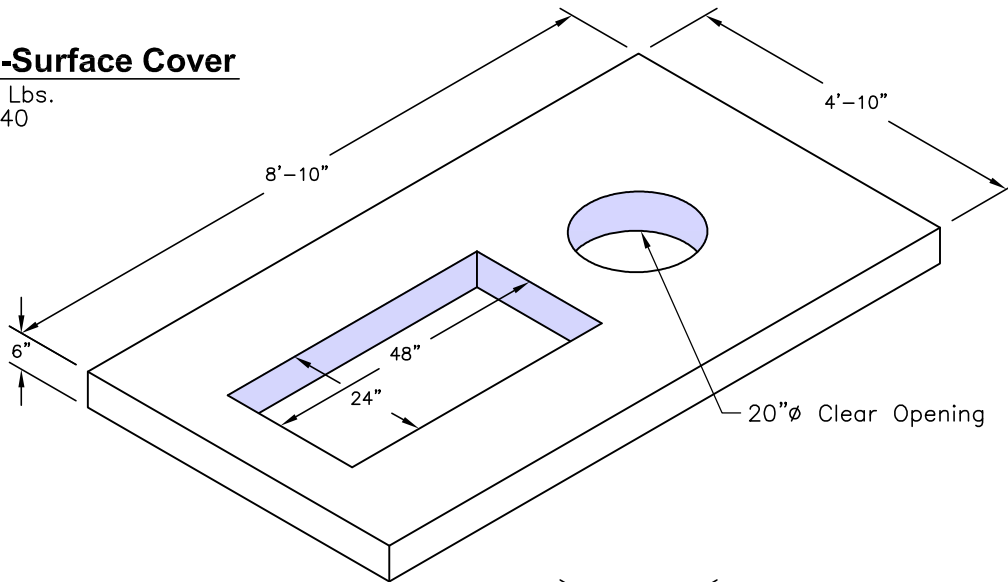


1150 ST Sub-Surface Cover

Weight - 3100 Lbs.
Item# - 1241240



**1150 CWST Body
W/ Baffle**

Weight - 12,100 Lbs.
Item# - 1241400

