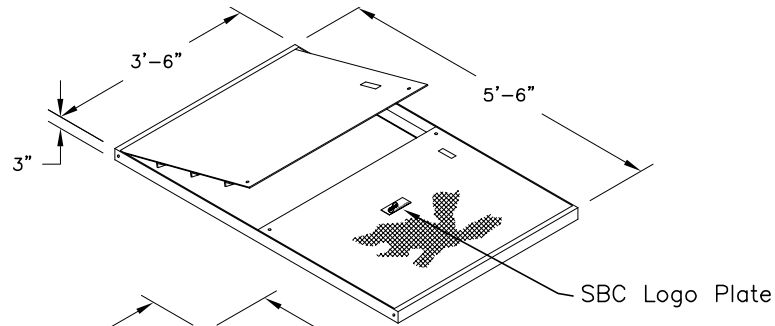


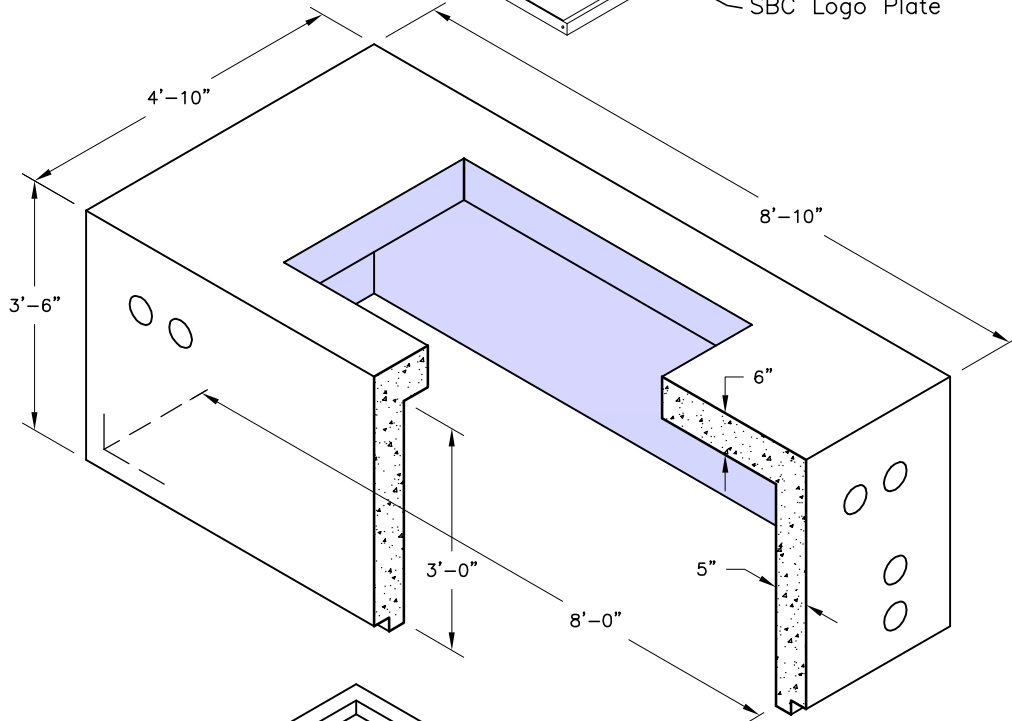
**HINGED H-20 COVER**

Weight - 470 Lbs.  
Item# - 7205750



**TOP**

Weight - 7800 Lbs.  
Item# - 1009460



**BOTTOM**

Weight - 8025 Lbs.  
Item# - 1009360

