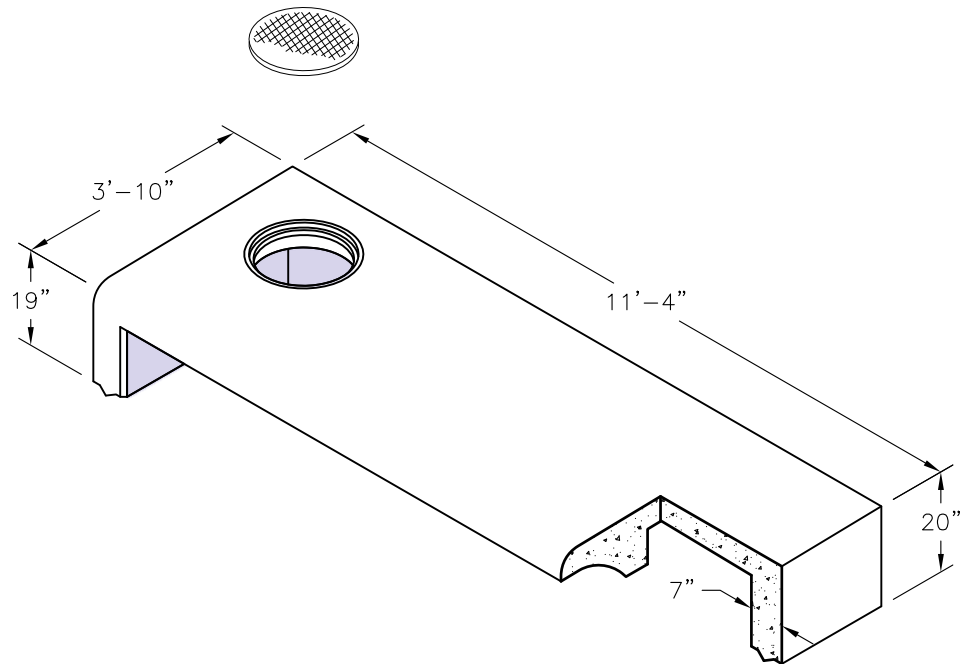


16 1/2"Ø C.I. Cover

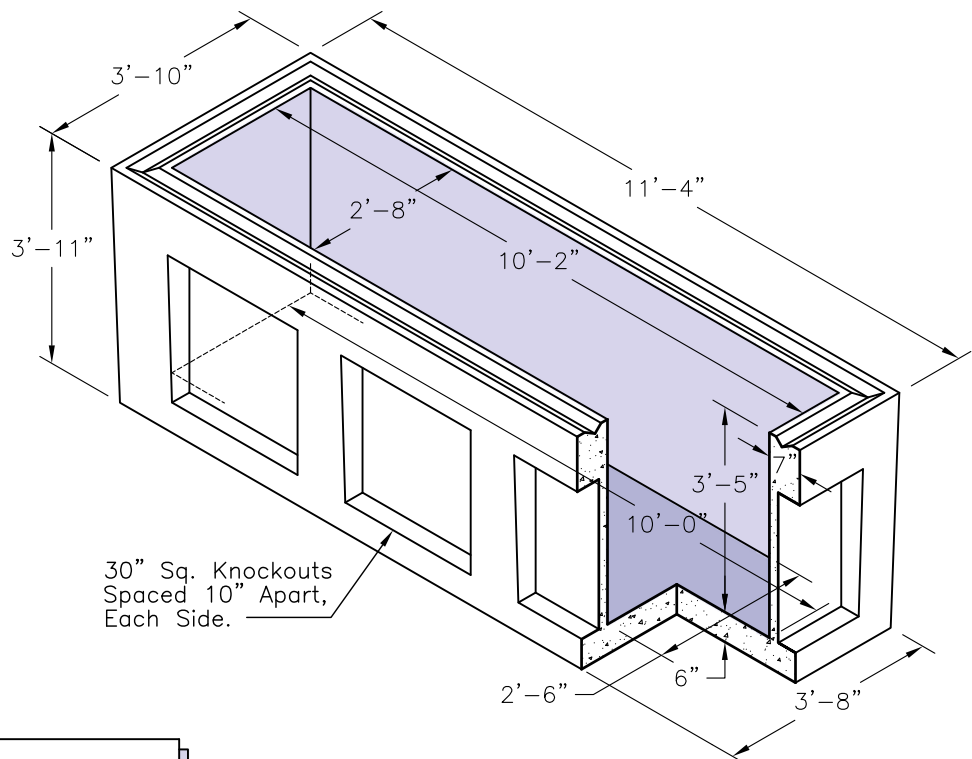
Weight - 55 Lbs.
Item# - 7102600

Curb Top W/ Frame

Weight - 5175 Lbs.
Item# - 1206660


Bottom

Weight - 9,000 Lbs.
Item# - 1206800


SPECIFICATIONS:

1. **Concrete:** Has a Design Strength of 5,000 psl at 28 Days.
2. **Steel Reinforcement:** ASTM A-615, Grade 60.
3. **Loading:** Designed for H20 Loading.
4. **C.I. Castings:** ASTM A-48, Class 30/35.

GENERAL NOTES:

1. **Different Height of Extensions are Available by Request.**