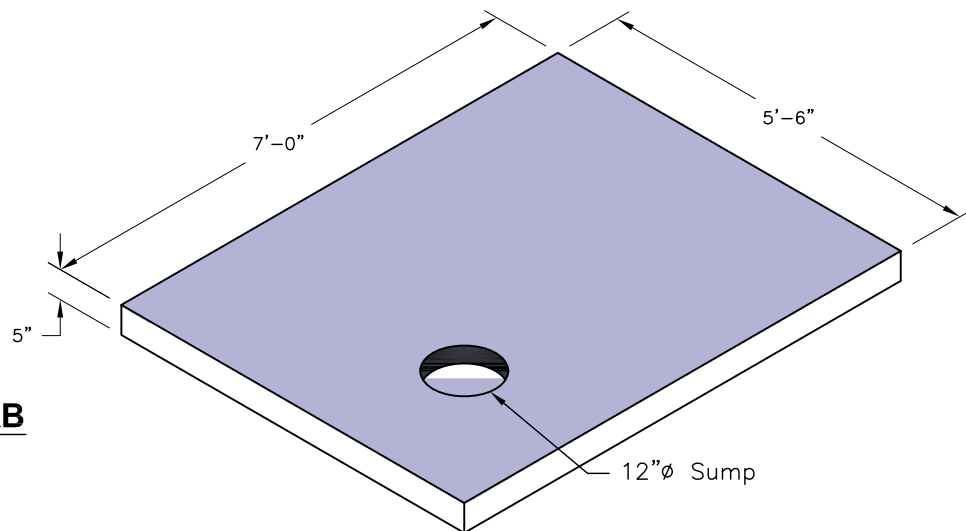


**800 MV BODY**

Weight - See Table  
Item# - See Table



**800 MV FLOOR SLAB**

Weight - 2400 Lbs.  
Item# - 1022800