
**Roof Slab**

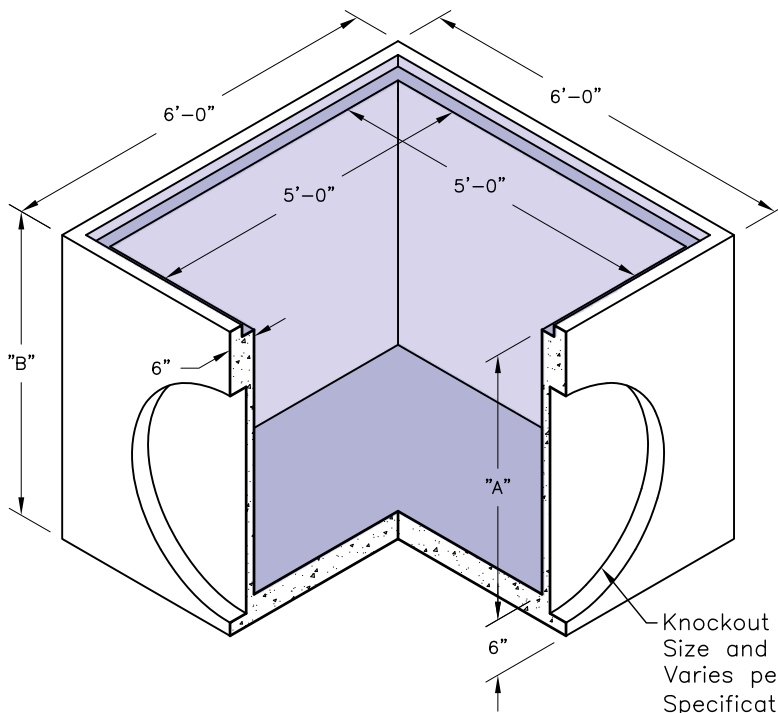
 Weight - 3150 Lbs.  
 Item# - 1207960

**GENERAL NOTES:**

1. Different Height of Bodies are Available by Request.
2. Frames and Covers Also Available.

**SPECIFICATIONS:**

1. Concrete has a design strength of 5000 PSI at 28 days.
2. Steel reinforcement: ASTM A-615 Grade 60 or ASTM A-497 Welded wire fabric.
3. Loading: Designed for H20 Loading.
4. C.I. Castings: ASTM A-48, Class 30/35.


**Body**

 Weight - See Table  
 Item# - See Table

Body			
A	B	Weight	Item#
42"	48"	8475 Lbs.	1205600
48"	54"	9300 Lbs.	1205620
54"	60"	10,125 Lbs.	1205640
60"	66"	10,950 Lbs.	1205680