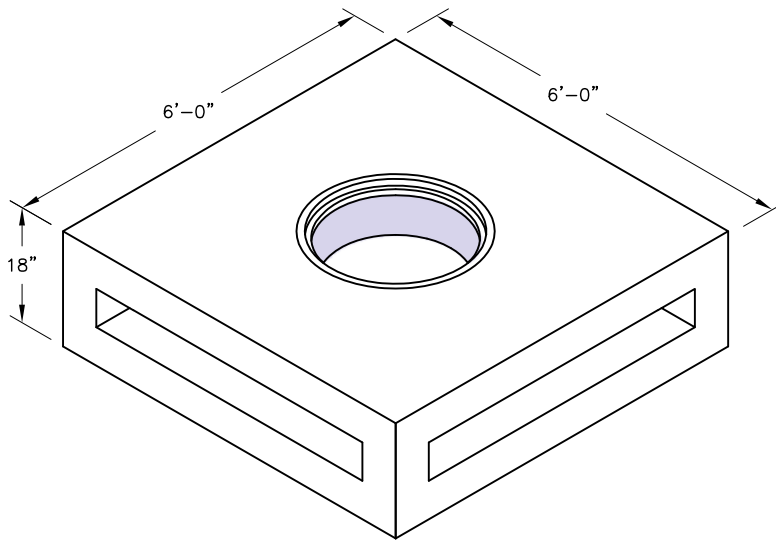

24"Ø C.I. Cover

 Weight - 138 Lbs.
 Item# - 7104750

"Y" Top w/ Frame

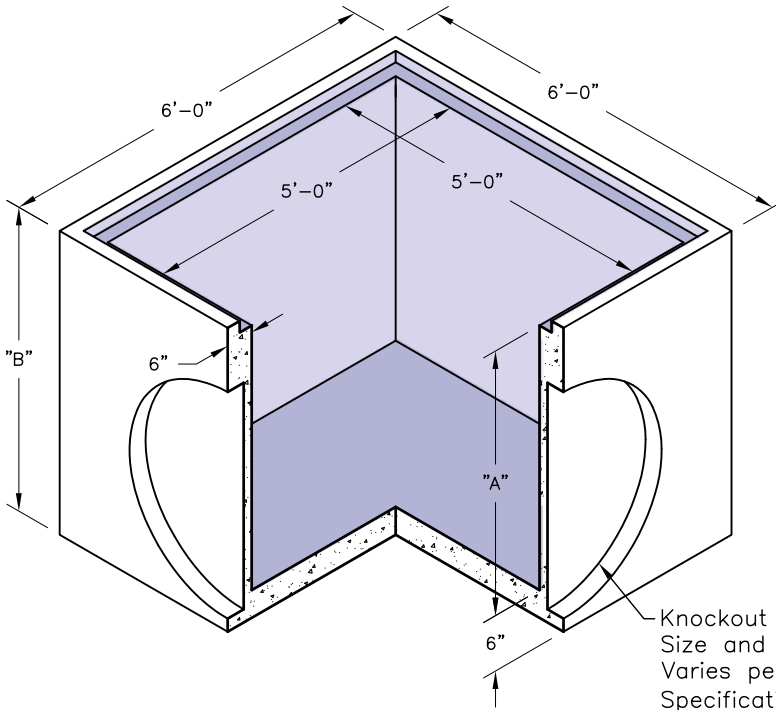
 Weight - 3575 Lbs.
 Item# - 1207640

GENERAL NOTES:

1. Different Height of Bodies are Available by Request.
2. Other Frames and Covers Also Available.

SPECIFICATIONS:

1. Concrete has a design strength of 5000 PSI at 28 days.
2. Steel reinforcement: ASTM A-615 Grade 60 or ASTM A-497 Welded wire fabric.
3. Loading: Designed for H20 Loading.
4. C.I. Castings: ASTM A-48, Class 30/35.


Body

 Weight - See Table
 Item# - See Table

Body			
A	B	Weight	Item#
42"	48"	8475 Lbs.	1205600
48"	54"	9300 Lbs.	1205620
54"	60"	10,125 Lbs.	1205640
60"	66"	10,950 Lbs.	1205680

 Knockout
 Size and Location
 Varies per Customer
 Specifications (Typical)