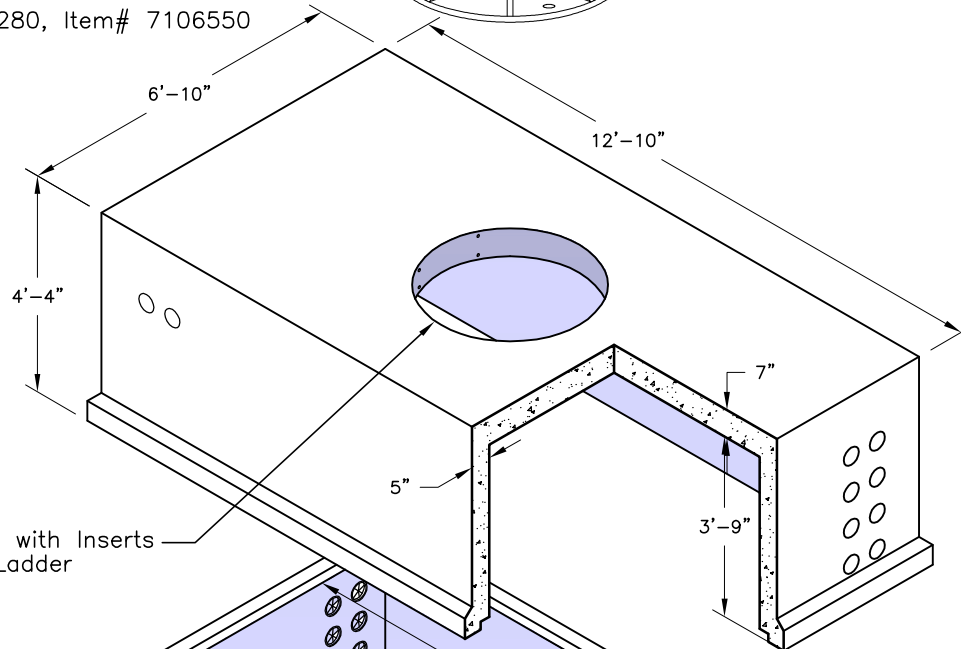
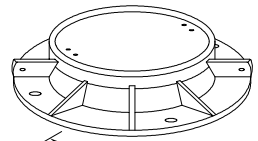


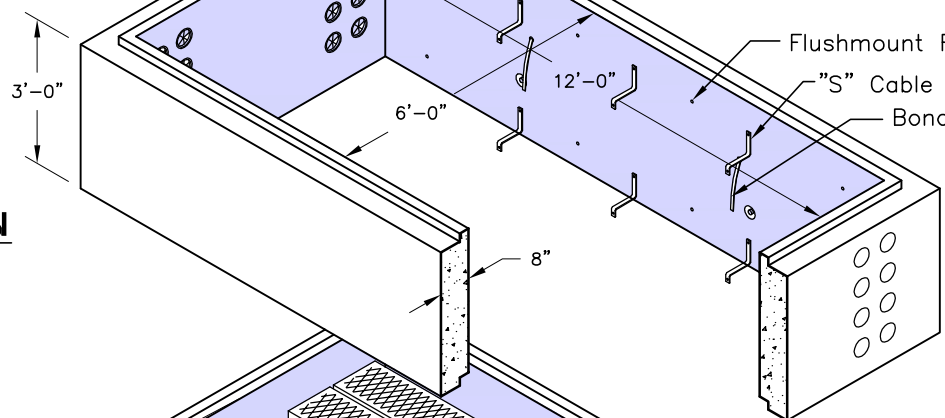
**SB-30 RING & COVER**

Weight - 644 Lbs.  
 Ring - PID 701054272, Item# 7106600  
 Cover - PID 701054280, Item# 7106550

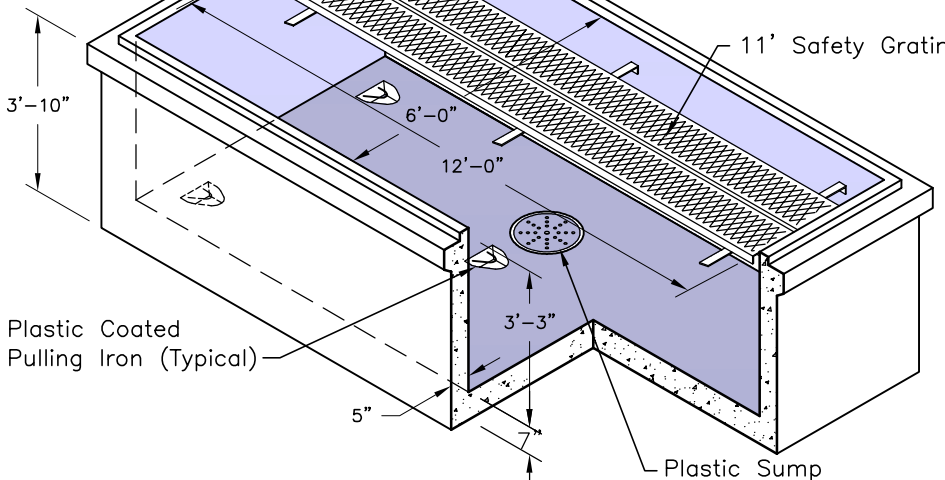

**6'x12' TOP**

Weight - 15,450 Lbs.  
 Item# - 1010780

40"Ø Opening with Inserts  
 for Bolt-on Ladder


**6'x12' EXTENSION**

Weight - 11,600 Lbs.  
 Item# - 1010620


**6'x12' BOTTOM**

Weight - 14,700 Lbs.  
 Item# - 1010668

Plastic Coated  
 Pulling Iron (Typical)

Plastic Sump