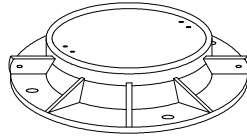


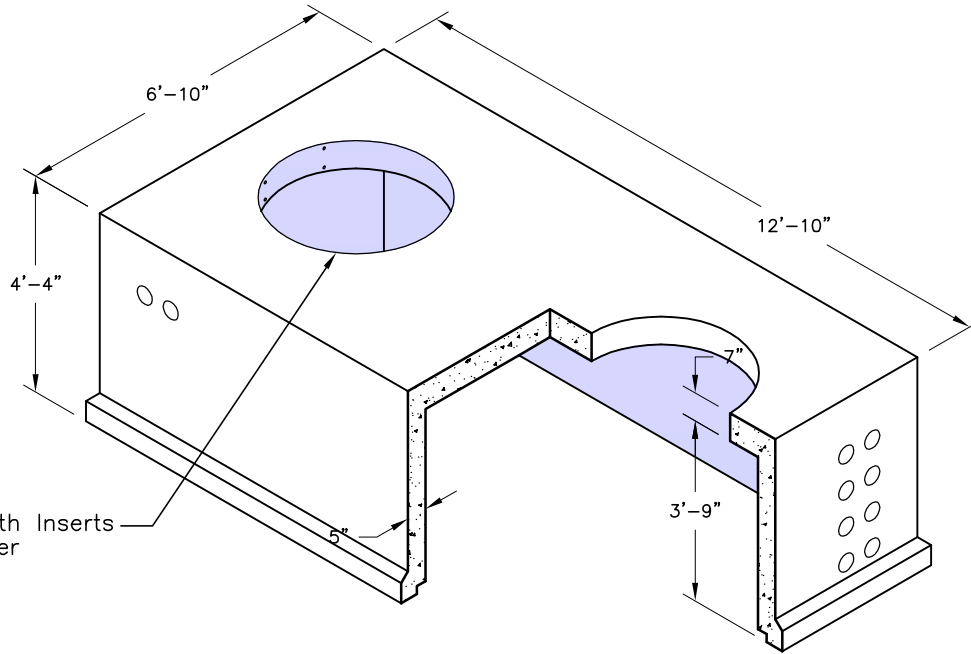
SB-30 RING & COVER

Weight - 644 Lbs.
 Ring - PID 701054272, Item# 7106600
 Cover - PID 701054280, Item# 7106550



6'x12' TOP

Weight - 15,450 Lbs.
 Item# - 1010790



40"Ø Openings with Inserts
 for Bolt-on Ladder

6'x12' BOTTOM

Weight - 14,700 Lbs.
 Item# - 1010662

