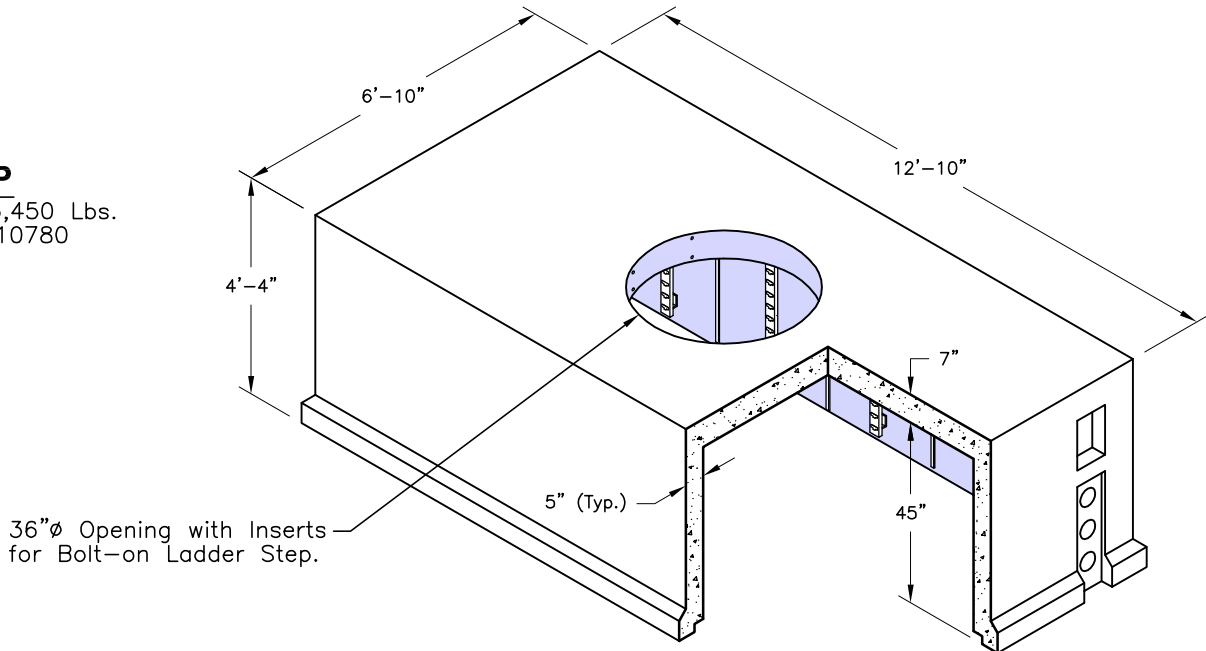


6'x12' TOP

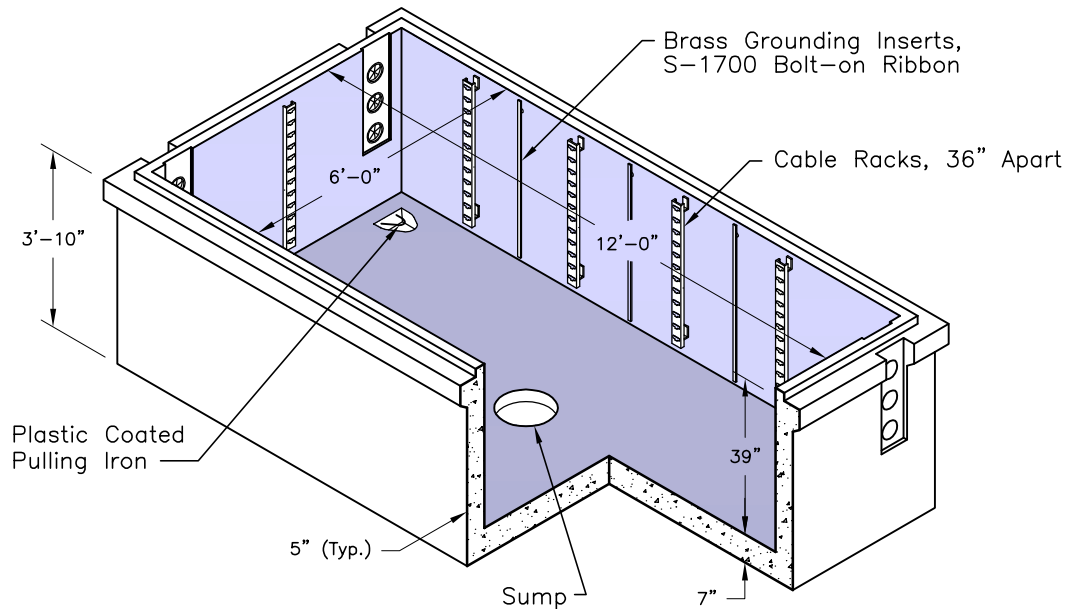
Weight - 15,450 Lbs.
Item# - 1010780



36"Ø Opening with Inserts
for Bolt-on Ladder Step.

6'x12' BOTTOM

Weight - 14,700 Lbs.
Item# - 1010660



Plastic Coated
Pulling Iron

Brass Grounding Inserts,
S-1700 Bolt-on Ribbon

Cable Racks, 36" Apart

Sump