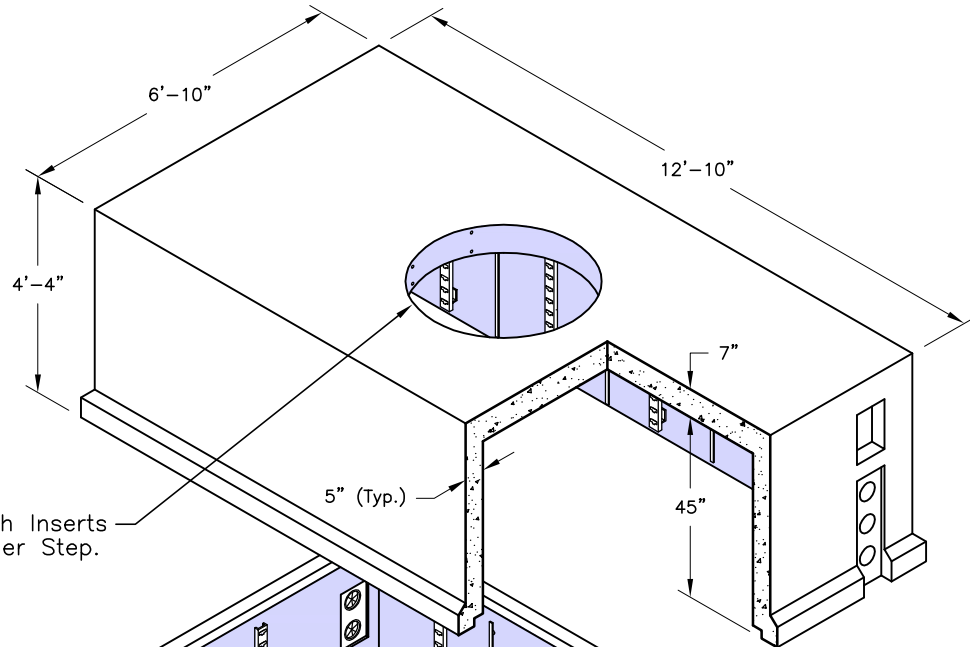


**6'x12' TOP**

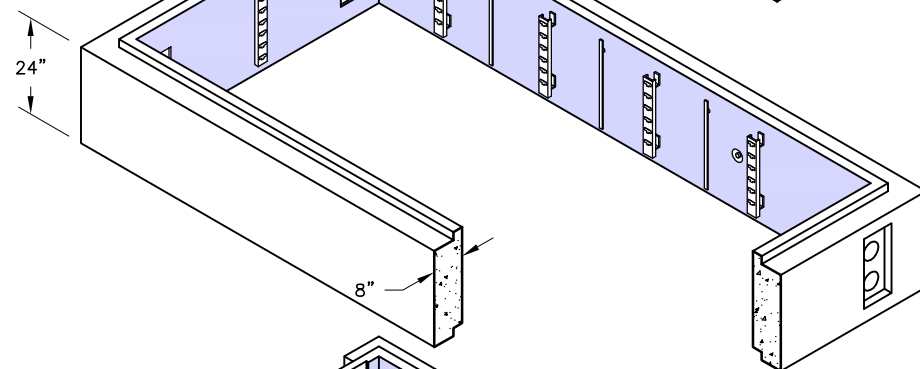
Weight - 15,450 Lbs.  
Item# - 1010780



36"Ø Opening with Inserts  
for Bolt-on Ladder Step.

**6'x12' EXTENSION**

Weight - 7,725 Lbs.  
Item# - 1010520



**6'x12' BOTTOM**

Weight - 14,700 Lbs.  
Item# - 1010660

