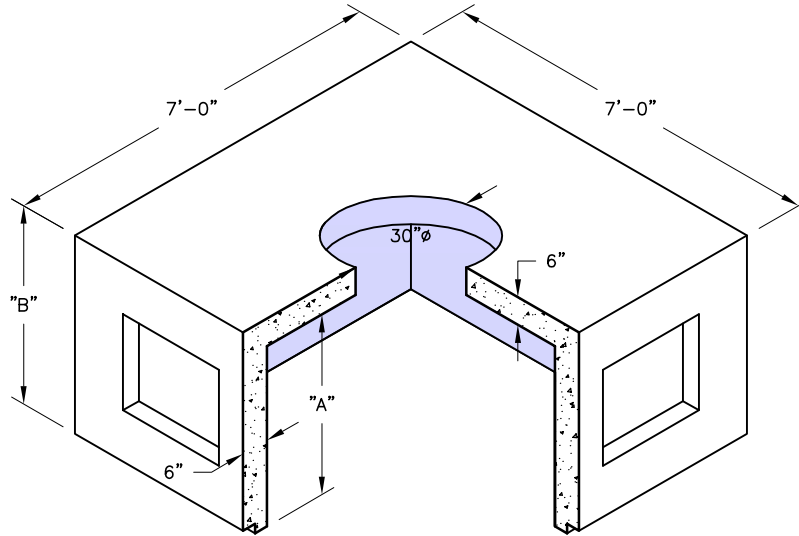
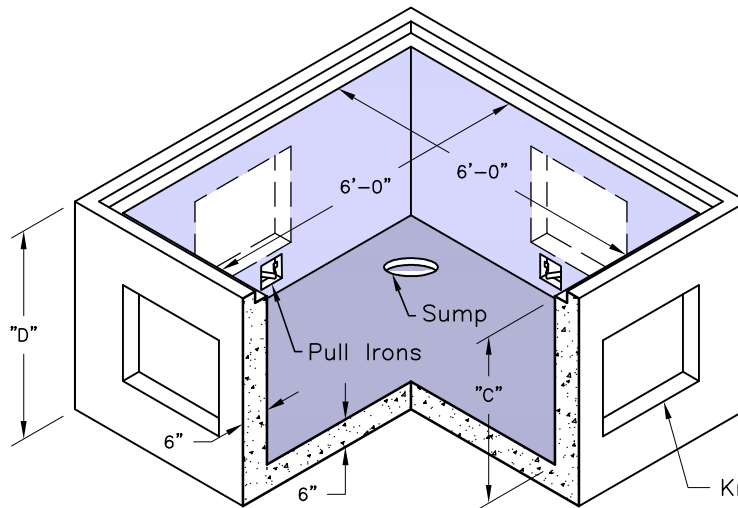


TOP SECTION

 Weight – See Table
 Item# – See Table

BOTTOM SECTION

 Weight – See Table
 Item# – See Table

 Knockout Size
 and Location will
 Vary per Cust. Spec.
 (Typ. all Four Walls)

Top Section			
A	B	Weight	Item#
12"	18"	5250 Lbs.	1011140
24"	30"	7200 Lbs.	1011180
36"	42"	9150 Lbs.	1011220
39"	45"	9650 Lbs.	1011260
42"	48"	10,125 Lbs.	1011300

Bottom Section			
C	D	Weight	Item#
39"	45"	10,025 Lbs.	1011240
42"	48"	10,500 Lbs.	1011280
48"	54"	11,475 Lbs.	1011320
60"	66"	13,425 Lbs.	1011360