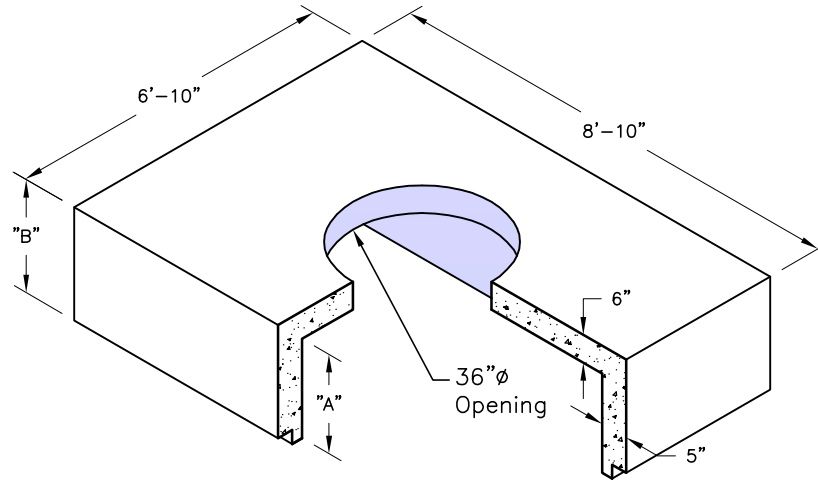
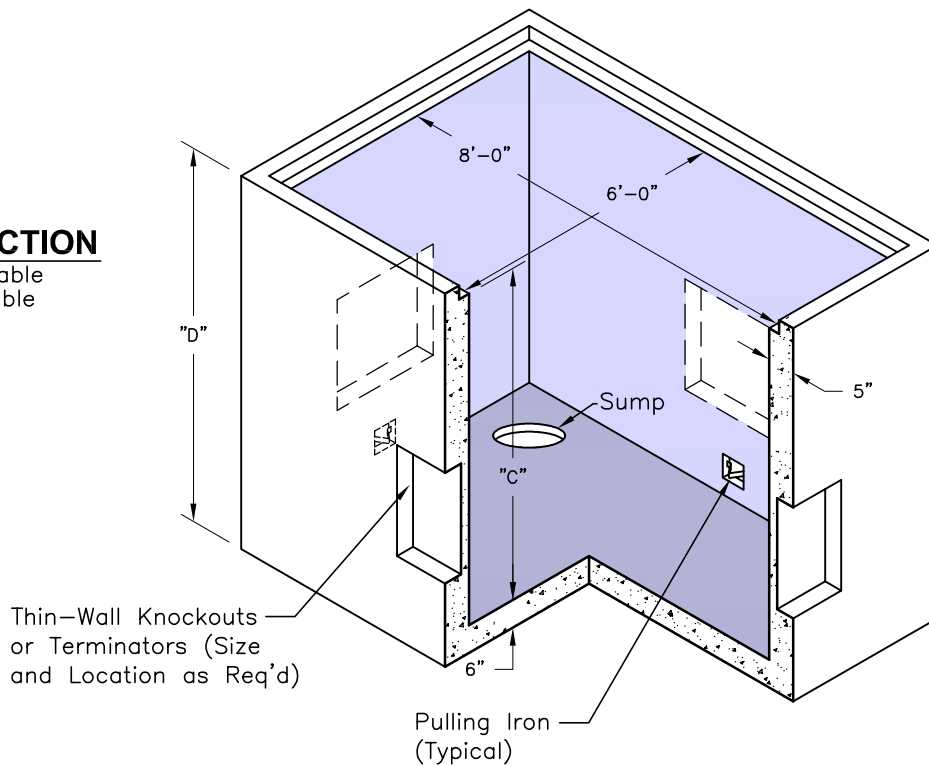


TOP SECTION

 Weight — See Table
 Item# — See Table

BOTTOM SECTION

 Weight — See Table
 Item# — See Table


| Top Section | | | |
|-------------|-----|-------------|---------|
| A | B | Weight | Item# |
| 12" | 18" | 5850 Lbs. | 1011420 |
| 36" | 42" | 9550 Lbs. | 1011480 |
| 42" | 48" | 10,475 Lbs. | 1011520 |

| Bottom Section | | | |
|----------------|-----|-------------|---------|
| C | D | Weight | Item# |
| 42" | 48" | 11,025 Lbs. | 1011500 |
| 60" | 66" | 13,800 Lbs. | 1011540 |