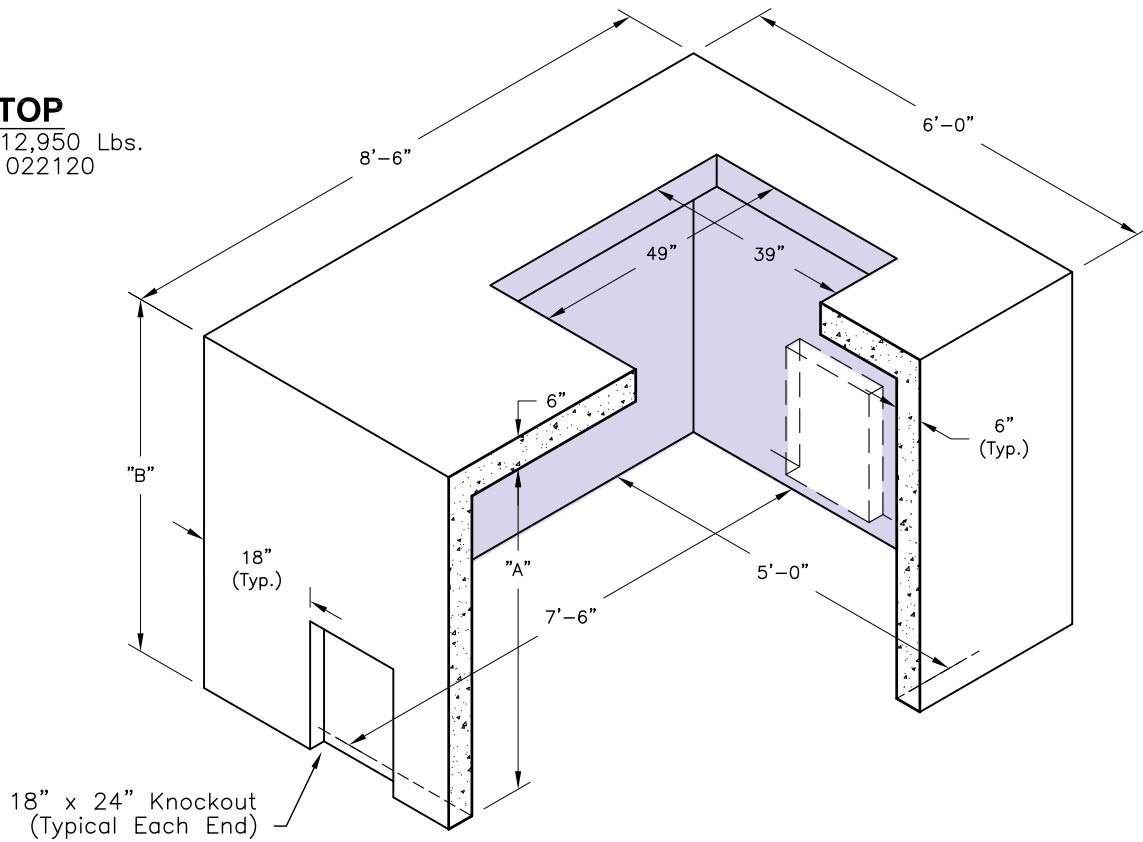


**576 MV TOP**

Weight - 12,950 Lbs.  
Item# - 1022120



**576 MV FLOOR SLAB**

Weight - 3825 Lbs.  
Item# - 1021900

