

**Top Section**

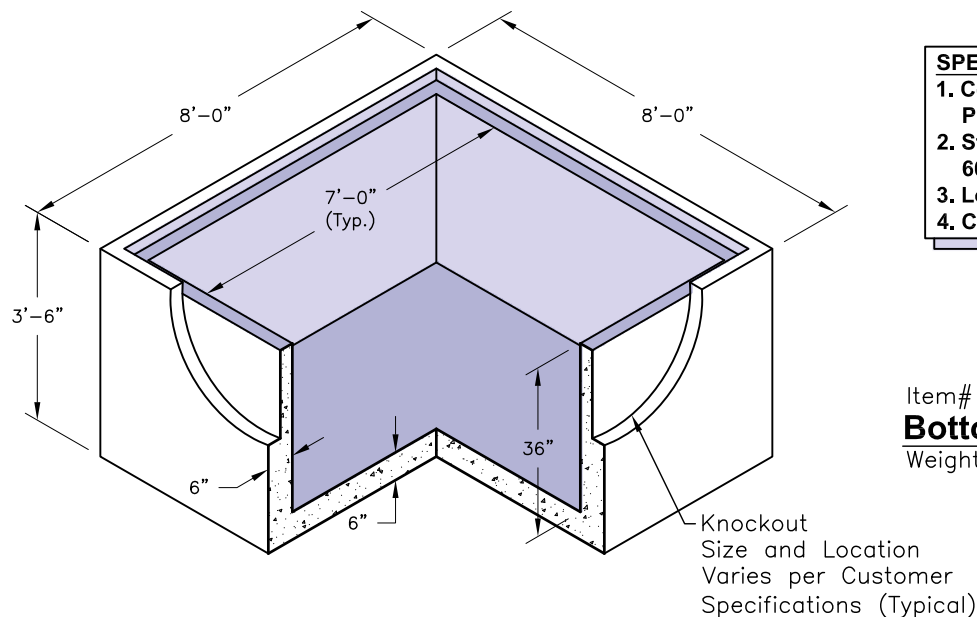
Weight - 12,100 Lbs.  
Item# - 1208120

**GENERAL NOTES:**

1. Different Height of Top and Bottom Sections are Available by Request.
2. Specific Cast Iron Ring and Cover by request, Cast-in or Loose.

**SPECIFICATIONS:**

1. Concrete has a design strength of 5000 PSI at 28 days.
2. Steel reinforcement: ASTM A-615 Grade 60 or ASTM A-497 Welded wire fabric.
3. Loading: Designed for H20 Loading.
4. C.I. Castings: ASTM A-48, Class 30/35.



Item# - 1208100

**Bottom Section**

Weight - 12,650 Lbs.